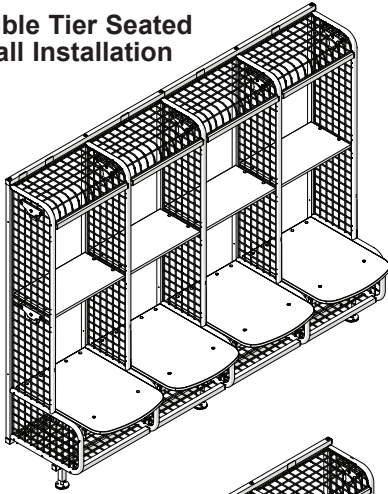
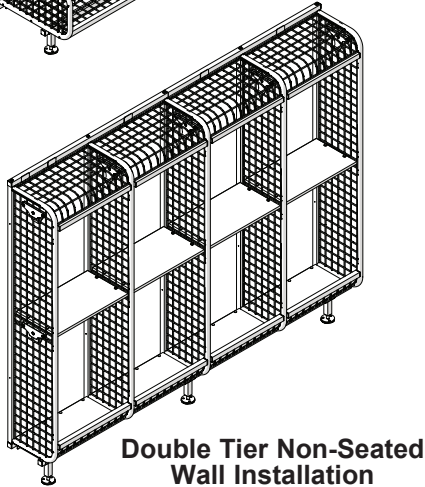
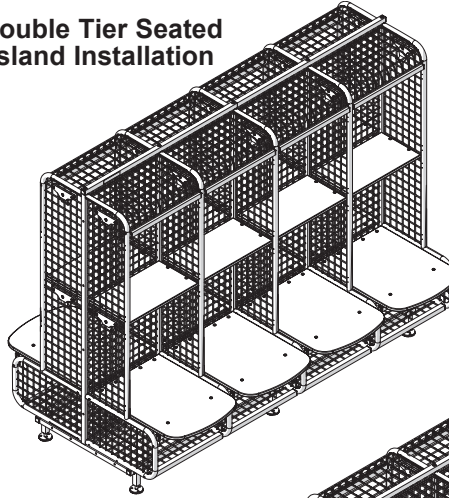


GearBoss® AirPro® Double Tier Locker

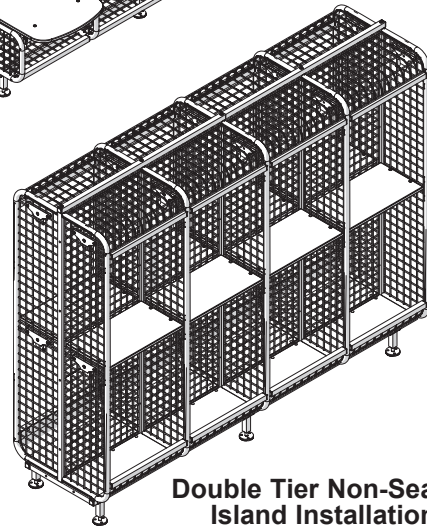
**Double Tier Seated
Wall Installation**



**Double Tier Seated
Island Installation**



**Double Tier Non-Seated
Wall Installation**



**Double Tier Non-Seated
Island Installation**

Contents

Important User Information	2	Pre-Installation Assembly	15
Safety Precautions	3	Wall Configuration Installation	17
Before Installation	3	Island Configuration Installation	25
Prepare for Installation	4	Final Assembly	34
Required Tools	4	Optional Grille Door Components	40
Supplied Fasteners	5	Optional Grille Door Installation	41
Structural Fasteners - Not Supplied	5	Optional Wood Door Components	44
Seated Wall Configuration Components	10	Optional Wood Door Installation	45
Non-Seated Wall Configuration Components	11	Optional End Panel Installation	48
Seated Island Configuration Components	12	Optional Back Panel Installation	50
Non-Seated Island Configuration Components	13	Care and Maintenance	52
Starter, Extension and Base Variations	14		



Visit the GearBoss AirPro Locker web page at wengercorp.com for more information.

Note: Please read and understand these instructions before installation, assembly or use.
Note: If you need additional information, contact Wenger Corporation using the information below.

Important User Information

General

Copyright © 2024 by Wenger Corporation

All rights reserved. No part of the contents of this manual may be reproduced, copied, or transmitted in any form or by any means including graphic, electronic, or mechanical methods or photocopying, recording, or information storage and retrieval systems without the written permission of the publisher, unless it is for the purchaser's personal use.

Printed and bound in the United States of America.

The information in this manual is subject to change without notice and does not represent a commitment on the part of Wenger Corporation. Wenger Corporation does not assume any responsibility for any errors that may appear in this manual.

In no event will Wenger Corporation be liable for technical or editorial omissions made herein, nor for direct, indirect, special, incidental, or consequential damages resulting from the use or defect of this manual.

The information in this document is not intended to cover all possible conditions and situations that might occur. The end user must exercise caution and common sense when assembling or installing Wenger Corporation products. If any questions or problems arise, call Wenger Corporation at 1-800-887-7145.

Manufacturer

The GearBoss® AirPro® Double Tier Locker is manufactured by:

Wenger Corporation
555 Park Drive
Owatonna, MN 55060
800-4WENGER (493-6437) • 1-507-455-4100
www.wengercorp.com

Intended Use

- This product is intended for indoor use in normal ambient temperature and humidity conditions — it must not be exposed to outside weather conditions.
- This product is intended to be assembled only as described in these instructions.

Warranty

GearBoss AirPro Lockers are covered under a ten year Limited Warranty offered to you, the initial purchaser. This Warranty runs from the date of shipment and warrants that the Wenger product will be free of defects in materials or craftsmanship during the warranty period.

This Warranty is your sole and exclusive remedy for any claim against Wenger related to your purchase, use, or ownership of a Wenger product. This Warranty does not apply to damage caused by common carrier, misuse or abuse, alterations to products not expressly authorized by Wenger.

Exact matching of color, grain, texture and lighting is not guaranteed as these features are prone to change and fade over time. Our warranty assures you of, at the discretion of our Customer Service Department, either a full refund, or the repair or replacement of the defective product without charge. Just call a Customer Service Representative at 1-800-887-7145 and state the reason you are dissatisfied. If return of a product is necessary, your representative will issue a return authorization.

The Warranty assumes proper use and care of the lockers. Care must be given by locker users not to stuff foot lockers over capacity and then attempt to compress the gear using the seat. Evidence of this misuse will be bending and failure of the seat hinges.

An intentional benefit of GearBoss Lockers are repairable and replaceable parts. To achieve this through-bolts are used and on moving parts and the vibration of these connection points can, at times, cause bolts to loosen. Maintenance must be in place to annually check and, if necessary, tighten bolts at these locations as shown below. Evidence of a failure to provide this maintenance will be seat hinges or lock brackets that have come loose.

Safety Precautions

Throughout this manual you may find cautions and warnings which are defined as follows:

- **WARNING** means that failure to follow the instruction may result in serious injury or death.
- **CAUTION** means that failure to follow the instruction may result in serious injury or damage to property.

Read all of these safety instructions before assembling and installing the AirPro Lockers.

⚠ CAUTION

Make sure anyone assembling or installing the AirPro Locker has read and understands these instructions.

⚠ CAUTION

Failure to comply with Warnings and Cautions in this document can result in damage to property or serious injury.

⚠ CAUTION

To avoid damage and injury, more than one person is needed for installation.

Before Installation

Overview

- This system should be installed only by skilled technical persons, and only after carefully studying these instructions.
- It is suggested that the lockers are setup in a space that is large enough to safely handle the cartons, parts and accessories.
- Inspect the condition of the wall and floor where the lockers will be located. If the wall is not straight, establish a reference line so that the fronts of all lockers will line up. Also, determine the highest point on the floor, which will establish the leveled height of each row of lockers.

Before You Begin

- Read the complete assembly procedure before beginning the assembly.
- Hardware packs may contain extra fasteners that will not be required on your lockers.
- At least two people are required to install the locker.

General Usage

- Never place more than 100 lb (45 kg) on a single shelf.
- Never hang from or climb on lockers.
- Overloading or shock-loading lockers could cause a collapse, resulting in property damage or serious injury.

Installation Requirements

- Lockers should be installed on an unfinished floor, tile or epoxy coated concrete flooring.
- Any additional floor coverings are to be installed after the lockers to avoid interference with the legs.
- Locker banks are installed beginning on the left side and working to the right.

Prepare for Installation

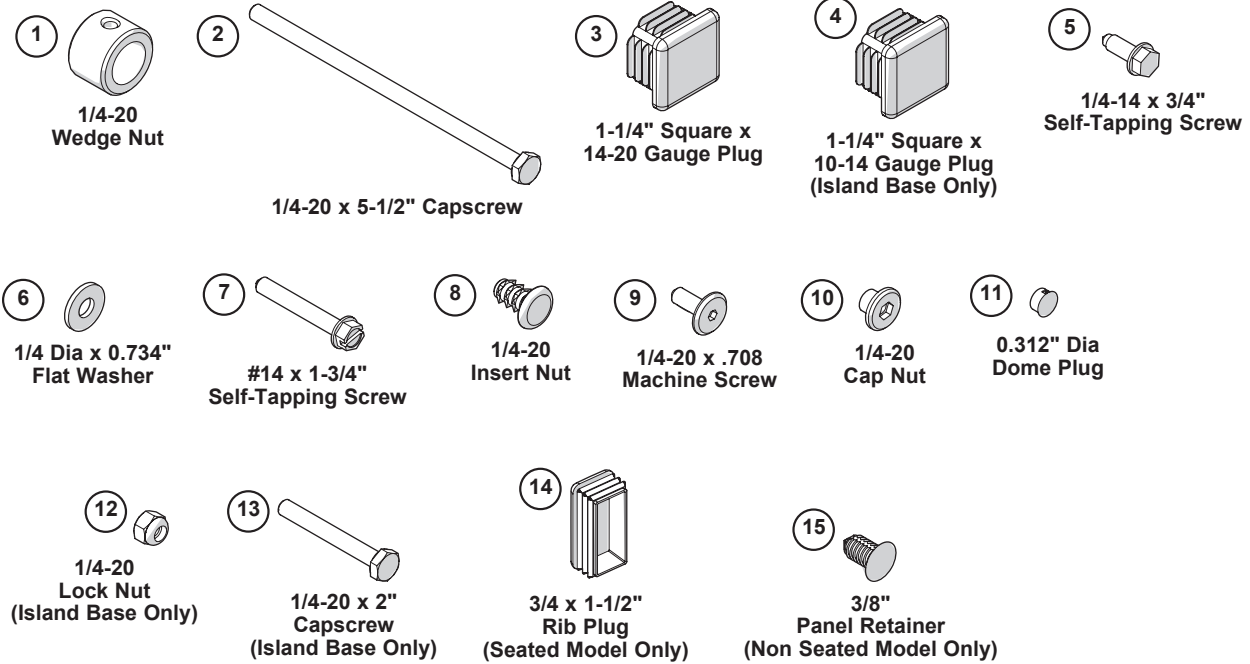
- Open all boxes and sort the components by like parts and sizes.
- Open the hardware packs and sort all hardware by like parts and sizes.
- Inventory the cartons to be sure that all required components are present.
See separate instructions for accessories.
- Clear away packaging waste.
- Use cardboard, carpet or packaging to prevent scratching the components during assembly.
- Make sure the area is free of any obstacles or obstructions.
- It is recommended that there are two primary installers and two support people for the installation.
- It is recommended to complete the wall section installation first.
- Review the architectural drawings provided by Wenger and understand the layout of the room before starting the installation.
- Take measurements of the room and wall lengths.
The wall must accommodate an additional 6" to allow the extension tubes for the final bay of lockers to slide into the run already installed on the wall.
- Determine the extension(s) needed for the layout and run of lockers.
Review the architectural drawings and the "Starter, Extension and Base Variations" section.

Required Tools

Two sets of tools are recommended as the installation requires a minimum of two primary installers and two additional people for support.

- Cordless drill
- Phillips drive bit
- 7/16" and 1/2" combination wrench
- Carpenter's level
- Straight edge
- Tape measure
- Pencil
- 50' chalk line
- Mallet
- Impact driver
- Long bit extension (optional)
- Hammer drill
- Cement bits (as required for anchors)
- 8+ clamps
- 16' ratchet strap
- 4 mm hex wrench
- 3/16" hex wrench
- 7/16" nut driver
- 3/8" nut driver
- 1/4" hex wrench

Supplied Fasteners



Structural Fasteners - Not Supplied

Because materials and construction of floors and walls can vary, fasteners for attaching the lockers to the structure are not provided.

The installer must choose the appropriate fastener and follow the manufacturer's instructions.

NOTICE

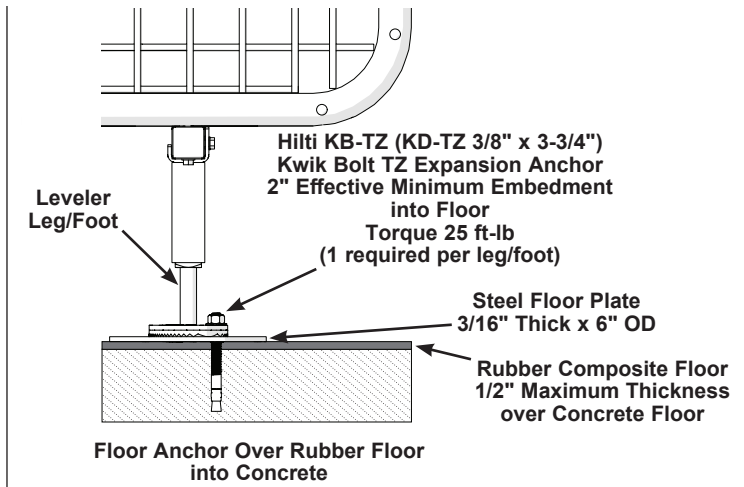
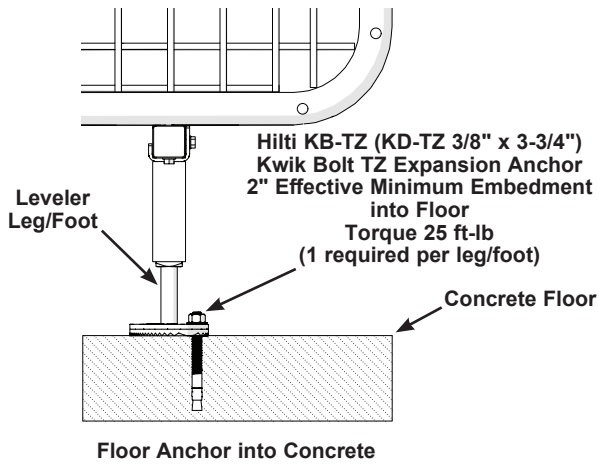
Never use a hammer function when drilling into hollow concrete masonry units (CMU).

⚠ WARNING

Inferior or improperly installed fasteners could cause the locker to tip over or collapse.

Non-Seismic Floor Fastener Guidelines

Other fasteners may be used if the connection strength requirement is met.



Structural Fasteners - Not Supplied (continued)

Non-Seismic Wall Fastener Guidelines

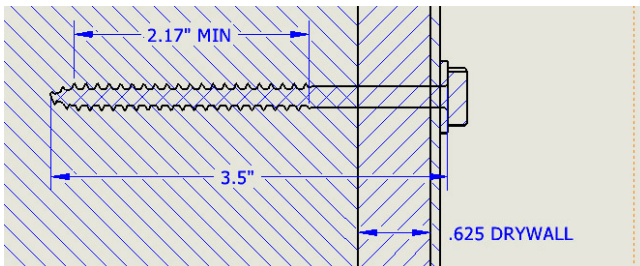
NOTICE

Anchors should be rated for a minimum of 300 lb of tension/withdrawal.

Lag screws require pilot holes.

- If the wall is wood stud-and-drywall construction, 1/4" minimum lag screws into every stud is acceptable (24" O.C. maximum spacing). Thread penetration into each spruce-pine-fir (SPF) stud must be 2.17" minimum not including tapered lead in of the screw.

Example: stud framing with 5/8" drywall would require a lag screw of 3.5" minimum.



AMERICAN WOOD COUNCIL

Table 11.2A Lag Screw Reference Withdrawal Design Values, W¹

Tabulated withdrawal design values (W) are in pounds per inch of thread penetration into side grain of wood member. Length of thread penetration in main member shall not include the length of the tapered tip (see 11.2.1.1).

Specific Gravity, G ²	Lag Screw Diameter, D										
	1/4"	5/16"	3/8"	7/16"	1/2"	5/8"	3/4"	7/8"	1"	1-1/8"	1-1/4"
0.73	397	469	538	604	668	789	905	1016	1123	1226	1327
0.71	381	450	516	579	640	757	868	974	1077	1176	1273
0.68	357	422	484	543	600	709	813	913	1009	1103	1193
0.67	349	413	473	531	587	694	796	893	987	1078	1167
0.58	281	332	381	428	473	559	641	719	795	869	940
0.55	260	307	352	395	437	516	592	664	734	802	868
0.51	232	274	314	353	390	461	528	593	656	716	775
0.50	225	266	305	342	378	447	513	576	636	695	752
0.49	218	258	296	332	367	434	498	559	617	674	730
0.47	205	242	278	312	345	408	467	525	580	634	686
0.46	199	235	269	302	334	395	453	508	562	613	664
0.44	186	220	252	283	312	369	423	475	525	574	621
0.43	179	212	243	273	302	357	409	459	508	554	600
0.42	173	205	235	264	291	344	395	443	490	535	579
0.41	167	198	226	254	281	332	381	428	473	516	559
0.40	161	190	218	245	271	320	367	412	455	497	538
0.39	155	183	210	236	261	308	353	397	438	479	518
0.38	149	176	202	227	251	296	340	381	422	461	498
0.37	143	169	194	218	241	285	326	367	405	443	479
0.36	137	163	186	209	231	273	313	352	389	425	460
0.35	132	156	179	200	222	262	300	337	373	407	441
0.31	110	130	149	167	185	218	250	281	311	339	367

Note: specific gravity of SPF stud is .42

<https://awc.org/>

Structural Fasteners - Not Supplied (continued)

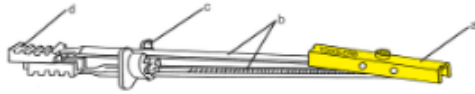
Non-Seismic Wall Fastener Guidelines (continued)

- If the wall is metal stud-and-drywall construction, 1/4" minimum SnapToggle® BB type anchors and bolts into every stud is acceptable (24" O.C. maximum spacing).



SNAPTOGGLE® Heavy-Duty Toggle Bolts

Installation Data



a = anchoring channel / zinc-plated cold rolled steel or 304 series stainless steel
 b = straps / high-impact polystyrene / locking ratchet
 c = cap / translucent polypropylene copolymer
 d = ergonomic handle / same as straps

UNC - Imperial

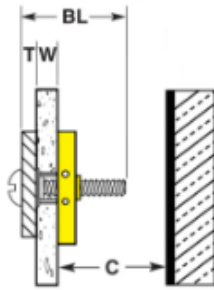
Steel Style	Stainless Style	Drill Bit Dia.	Thread Size (UNC)	Threads Per Anchor	Grip Range	Minimum Clearance
BA	BA5	1/2"	3/16 - 24	2.8	3/8" - 3-5/8"	1-7/8"
BB	BBS	1/2"	1/4 - 20	2.5	3/8" - 3-5/8"	1-7/8"
BE		3/4"	5/16 - 18	2.8	3/8" - 2-1/2"	1-7/8"
BC	BC5	3/4"	3/8 - 16	2.4	3/8" - 2-1/2"	1-7/8"
BD	BDS	3/4"	1/2 - 13	2.25	3/8" - 2-1/2"	1-7/8"
BAL*	BALS*	1/2"	3/16 - 24	2.8	2" - 9-1/2"	1-7/8"
BBL*	BBLS*	1/2"	1/4 - 20	2.5	2" - 9-1/2"	1-7/8"

*Long straps (L) for roofing and very thick walls or ceilings

Metric

Steel Style	Stainless Style	Drill Bit Dia.	Thread Size (ISO)	Threads Per Anchor	Grip Range	Minimum Clearance
BM5	BM5S	13mm	M5 x 0.8	3.8	10-92mm	48mm
BM6	BM6S	13mm	M6 x 1.0	3.1	10-92mm	48mm
BM8	BM8S	19mm	M8 x 1.25	3.1	10-64mm	48mm
BM10	BM10S	19mm	M10 x 1.5	2.75	10-64mm	48mm
BM5L*	BM5LS*	13mm	M5 x 0.8	3.8	51-240mm	48mm
BM6L*	BM6LS*	13mm	M6 x 1.0	3.1	51-240mm	48mm

*Long straps (L) for roofing and very thick walls or ceilings



$$C = 1-7/8" (48mm)$$

$$BL = T + W + 1/2" (13mm)$$

[For min. W & max. W, see "Grip Range" at left]

Performance Data

Ultimate Tensile Pull-Out Values (lbs.)

Anchor Type	Thread Size (UNC)	Drill Bit Dia.	1/2" Drywall	5/8" Drywall	*1/2" With 25 Gauge Stud	*5/8" With 25 Gauge Stud	Concrete Block	1/2" Steel Plate	Stainless in 1/2" Steel ^P
BA	3/16 - 24	1/2"	238	356	412	462	802	918 ¹	1,193 ¹
BB	1/4 - 20	1/2"	265	356	425	464	1,080	1,288 ²	1,735 ¹
BE	5/16 - 18	3/4"	270	480	439	480	1,400	1,680	2,118
BC	3/8 - 16	3/4"	275	576	466	576	1,745	1,692	2,523 ¹
BD	1/2 - 13	3/4"	275	576	468	576	**2,038 ¹	2,605	3,150

¹ Failure measured as breakage of drywall portion

² Failure of block

¹ Stainless steel bolts used

² Hardened bolts used

³ Stainless steel channel tested with stainless bolts in 1/2" steel plate

Ultimate Shear (lbs.)

Anchor Type	Thread Size (UNC)	Drill Bit Dia.	1/2" Drywall	5/8" Drywall
BA	3/16 - 24	1/2"	247	298
BB	1/4 - 20	1/2"	241	324
BC	3/8 - 16	3/4"	292	406

Notes:

- Industry standards recommend 1/4 of ultimate test load.
- Holding strength for a SNAPTGGLE heavy-duty hollow-wall anchor varies directly with the strength and condition of the substrate and the bolt size—and inversely with variations in hole diameter and the distance of the load from the wall.
- All figures in pounds. Pull-out values based on independent laboratory tests done according to U.S. Government standards. They should be used as guides only and cannot be guaranteed. The age, condition, and capacity of the substrate must be considered.

Structural Fasteners - Not Supplied (continued)

Non-Seismic Wall Fastener Guidelines (continued)

- If the wall is concrete block (CMU) construction (hollow), 1/4" minimum Tapcon® hex HD concrete screws (1/4" X 1-3/4" minimum), spaced no more than 16" apart is acceptable.

NOTICE

Never use a hammer function when drilling into hollow concrete masonry units (CMU).



ULTIMATE TENSION AND SHEAR VALUES (LBS/KN) IN CONCRETE

ANCHOR DIA In.(mm)	MIN. DEPTH OF EMBEDMENT In.(mm)	F _c = 2000 PSI (13.8 MPa)		F _c = 3000 PSI (20.7 MPa)		F _c = 4000 PSI (27.6 MPa)		F _c = 5000 PSI (34.5 MPa)	
		TENSION Lbs. (kN)	SHEAR Lbs. (kN)	TENSION Lbs. (kN)	SHEAR Lbs. (kN)	TENSION Lbs. (kN)	SHEAR Lbs. (kN)	TENSION Lbs. (kN)	SHEAR Lbs. (kN)
3/16 (4.8)	1 (25.4)	600 (2.7)	720 (3.2)	625 (2.8)	720 (3.2)	650 (2.9)	720 (3.2)	800 (3.6)	860 (3.8)
	1-1/4 (31.8)	845 (3.7)	720 (3.2)	858 (3.8)	720 (3.2)	870 (3.9)	720 (3.2)	1010 (4.5)	860 (3.8)
	1-1/2 (38.1)	1090 (4.8)	860 (3.8)	1090 (4.8)	860 (3.8)	1090 (4.8)	860 (3.8)	1220 (4.8)	860 (3.8)
	1-3/4 (44.5)	1450 (6.5)	870 (3.9)	1455 (6.5)	870 (3.9)	1460 (6.5)	990 (4.4)	1730 (7.7)	990 (4.4)
1/4 (6.4)	1 (25.4)	750 (3.3)	900 (4.0)	775 (3.4)	900 (4.0)	800 (3.6)	1360 (6.1)	950 (4.2)	1440 (6.4)
	1-1/4 (31.8)	1050 (4.7)	900 (4.0)	1160 (5.2)	900 (4.0)	1270 (5.6)	1360 (6.1)	1515 (6.7)	1440 (6.4)
	1-1/2 (38.1)	1360 (6.1)	1200 (5.3)	1600 (7.2)	1200 (5.3)	1820 (8.1)	1380 (6.1)	2170 (9.7)	1670 (7.4)
	1-3/4 (44.5)	2020 (9.0)	1670 (7.4)	2200 (9.8)	1670 (7.4)	2380 (10.6)	1670 (7.4)	2770 (12.3)	1670 (7.4)

Safe working loads for single installation under static loading should not exceed 25% of the ultimate load capacity.

ULTIMATE TENSION AND SHEAR VALUES (LBS/KN) IN HOLLOW BLOCK

ANCHOR DIA In.(mm)	ANCHOR EMBEDMENT In.(mm)	LIGHTWEIGHT BLOCK		MEDIUM WEIGHT BLOCK	
		TENSION Lbs. (kN)	SHEAR Lbs. (kN)	TENSION Lbs. (kN)	SHEAR Lbs. (kN)
3/16 (4.8)	1 (25.4)	220 (1.0)	400 (1.8)	340 (1.5)	730 (3.2)
1/4 (6.4)	1 (25.4)	250 (1.1)	620 (1.8)	500 (2.2)	1000 (4.4)

Safe working loads for single installation under static loading should not exceed 20% of the ultimate load capacity.

NOTE: 3/16" Tapcon requires 5/32" bit, 1/4" Tapcon requires 3/16" bit.



ALLOWABLE EDGE AND SPACING DISTANCES

PARAMETER	ANCHOR DIA. In.(mm)	NORMAL WEIGHT CONCRETE			CONCRETE MASONRY UNITS (CMU)		
		FULL CAPACITY (Critical Distance Inches)	REDUCED CAPACITY (Minimal Distance Inches)	LOAD REDUCTION FACTOR	FULL CAPACITY (Critical Distance Inches)	REDUCED CAPACITY (Minimal Distance Inches)	LOAD REDUCTION FACTOR
Spacing Between Anchors - Tension	3/16	3	1-1/2	0.73	3	1-1/2	1.00
	1/4	4	2	0.66	4	2	0.84
Spacing Between Anchors - Shear	3/16	3	1-1/2	0.83	3	1-1/2	1.00
	1/4	4	2	0.82	4	2	0.81
Edge Distance - Tension	3/16	1-7/8	1	0.83	3	2	0.91
	1/4	2-1/2	1-1/4	0.82	4	2	0.81
Edge Distance - Shear	3/16	2-1/4	1-1/8	0.70	3	2	0.93
	1/4	3	1-1/2	0.59	4	2	0.80

<https://www.tapcon.com/>

Structural Fasteners - Not Supplied (continued)

Non-Seismic Wall Fastener Guidelines (continued)

- If the wall is concrete block (CMU) construction (core filled), 1/4" minimum Tapcon® hex HD concrete screws (1/4" x 1-3/4" minimum), spaced no more than 16" apart is acceptable.
- If the wall is poured concrete construction, 1/4" min wedge/expansion-type concrete anchors with embedment of 1-1/2", spaced no more than 24" apart is acceptable.



INSTALLATION PARAMETERS

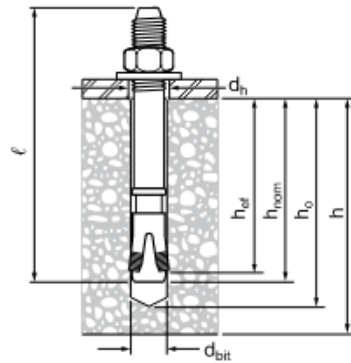


Figure 1 - KWIK Bolt 3 installation

Table 2 - Hilti KWIK Bolt 3 specifications

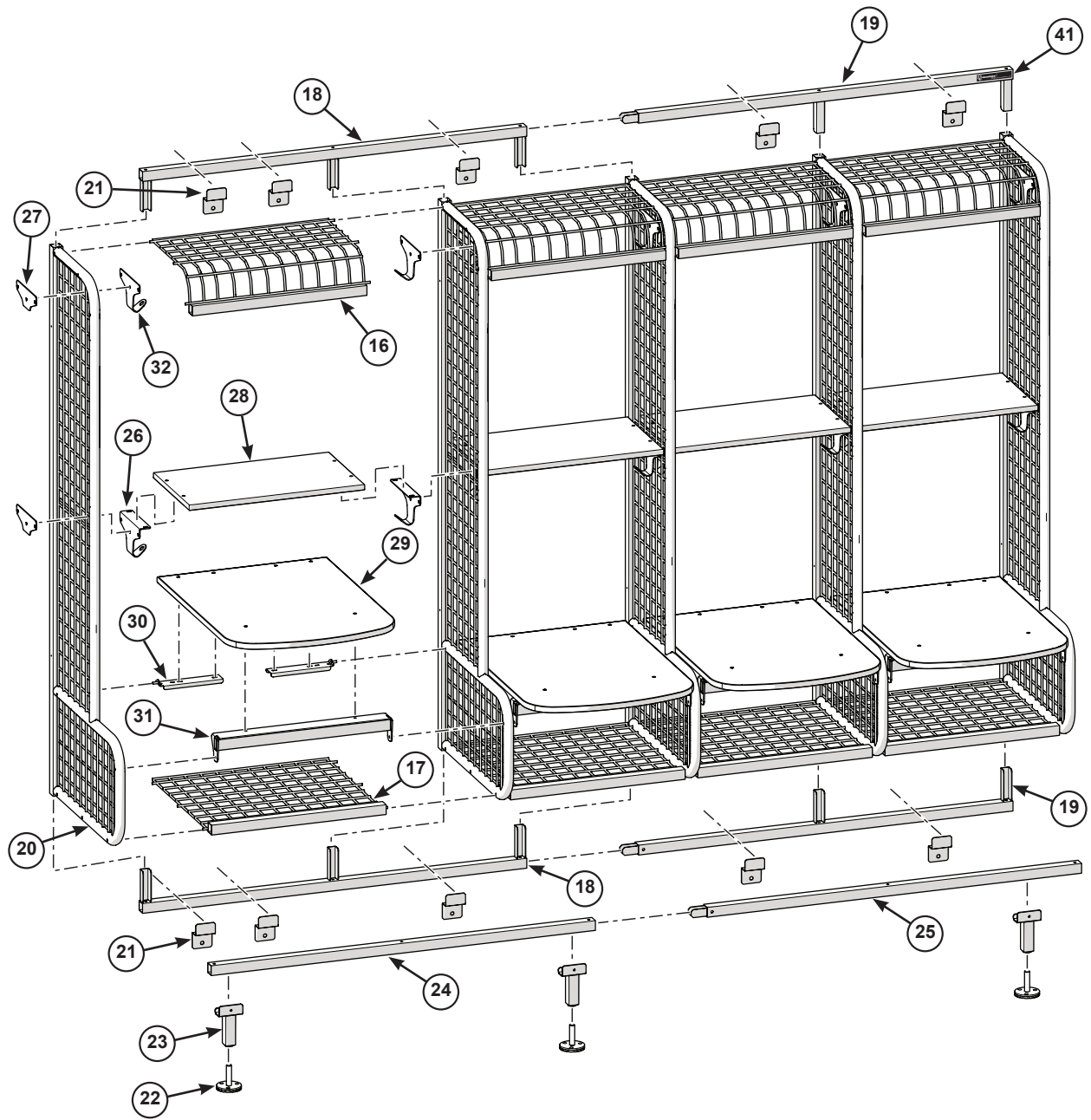
Setting information	Symbol	Units	Nominal anchor diameter									
			1/4	3/8	1/2	5/8	3/4	1				
Drill bit dia.	d_{bit}	in.	1/4	3/8	1/2	5/8	3/4	1				
Minimum nominal embedment	h_{nom}	in. (mm)	1-3/4 (44)	2-3/8 (60)	2-1/4 (57)	3-5/8 (92)	3-1/2 (89)	4-3/8 (111)	4-1/4 (108)	5-5/8 (143)	4-5/8 117	6-3/8 162
Minimum effective embedment	h_{ref}	in. (mm)	1-1/2 (38)	2 (51)	2 (51)	3-1/4 (83)	3-1/8 (79)	4 (102)	3-3/4 (95)	5 (127)	4 (102)	5-3/4 (146)
Minimum hole depth	h_o	in. (mm)	2 (51)	2-5/8 (67)	2-5/8 (67)	4 (102)	3-7/8 (98)	4-3/4 (121)	4-1/2 (114)	5-3/4 (146)	5 (127)	6-3/4 (171)
Fixture hole dia.	d_h	in.	5/16	7/16	9/16	11/16	13/16	1				
Anchor length	l		See ordering information									
Installation torque concrete	T_{inst}	ft·lb (Nm)	4 (5)	20 (27)	40 (54)	60 (81)	110 (149)	150 (203)				
Installation torque masonry	T_{inst}	ft·lb (Nm)	4 (5)	15 (20)	25 (34)	65 (88)	120 (163)	not recommended				
Wrench size		in.	7/16	9/16	3/4	15/16	1-1/8	1-1/2				

1 For more information, see ESR-1385 and section 3.3.8.3.3. Approval value are for carbon steel anchors only.

<https://www.hilti.com/>

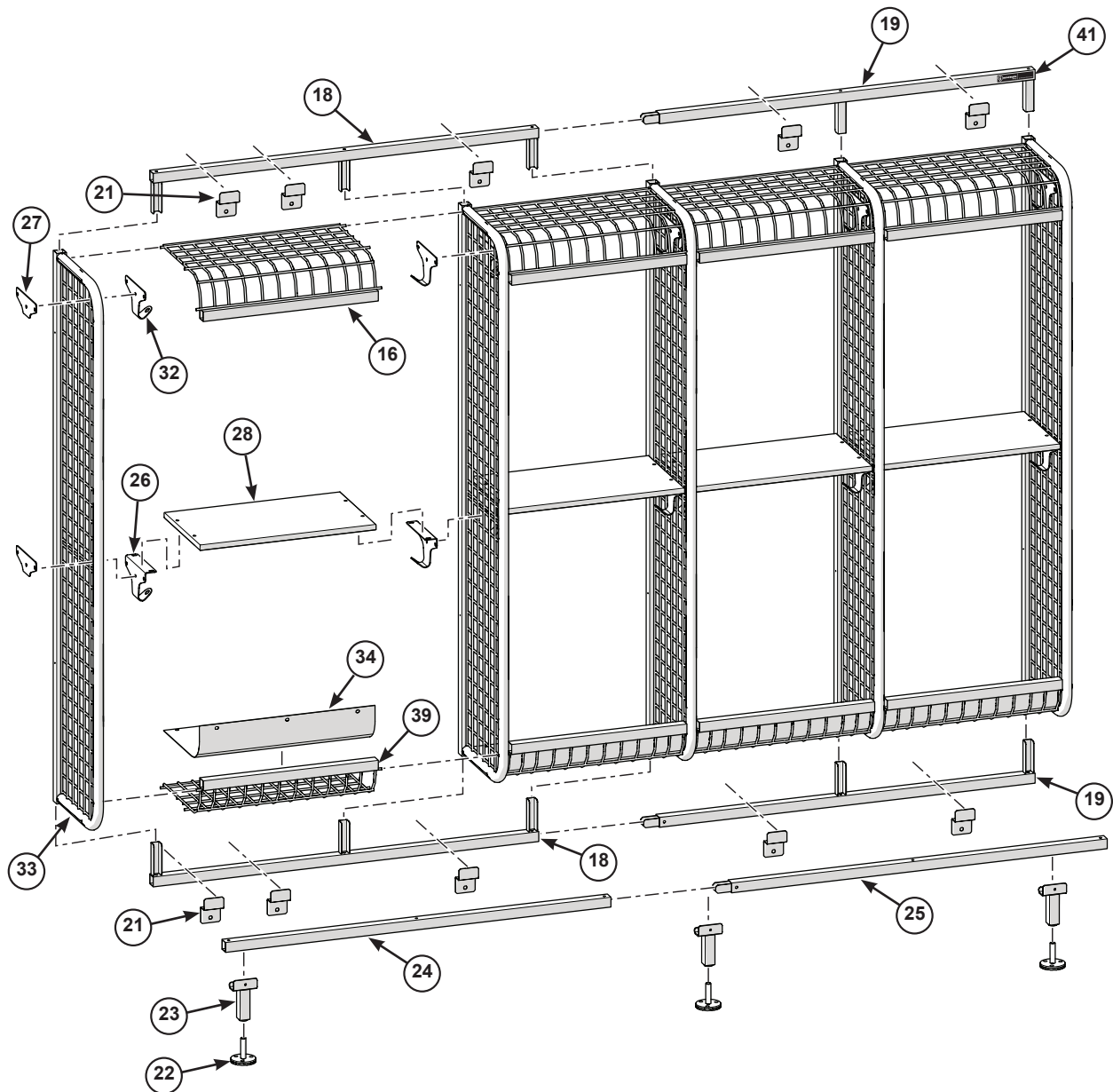
Seated Wall Configuration Components

Item	Description	Item	Description	Item	Description
16	Top Grille	22	Adjustable Foot	28	Shelf Panel
17	Seated Bottom Grille	23	Support Leg	29	Seat Panel
18	Starter Connector	24	Wall Starter Tube	30	Seat Hinge
19	Extension Connector	25	Wall Front Extension Connector	31	Seat Support Weldment
20	Seated Wall Side Grille	26	Shelf Side Hook Bracket	32	Double Tier Side Hook Bracket
21	Wall Bracket </td <td>27</td> <td>Hook Cover Plate</td> <td>41</td> <td>GearBoss Decal</td>	27	Hook Cover Plate	41	GearBoss Decal



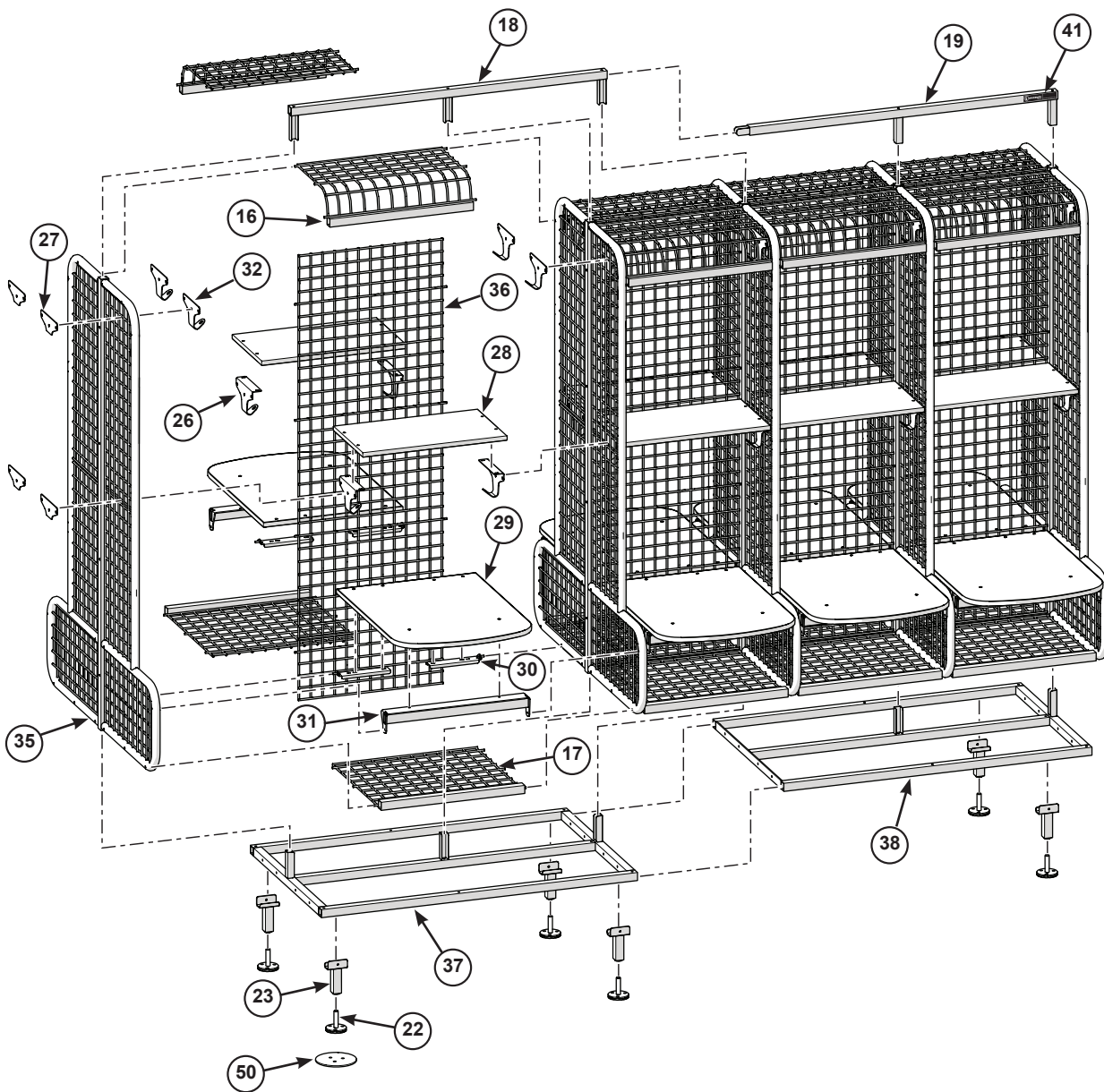
Non-Seated Wall Configuration Components

Item	Description	Item	Description	Item	Description
16	Top Grille	24	Wall Starter Tube	33	Wall Non-Seated Side Grille
18	Starter Connector	25	Wall Front Extension Connector	34	Bottom Shelf Shield
19	Extension Connector	26	Shelf Side Hook Bracket	39	Non-Seated Bottom Grille
21	Wall Bracket	27	Hook Cover Plate	41	GearBoss Decal
22	Adjustable Foot	28	Shelf Panel		
23	Support Leg	32	Double Tier Side Hook Bracket		



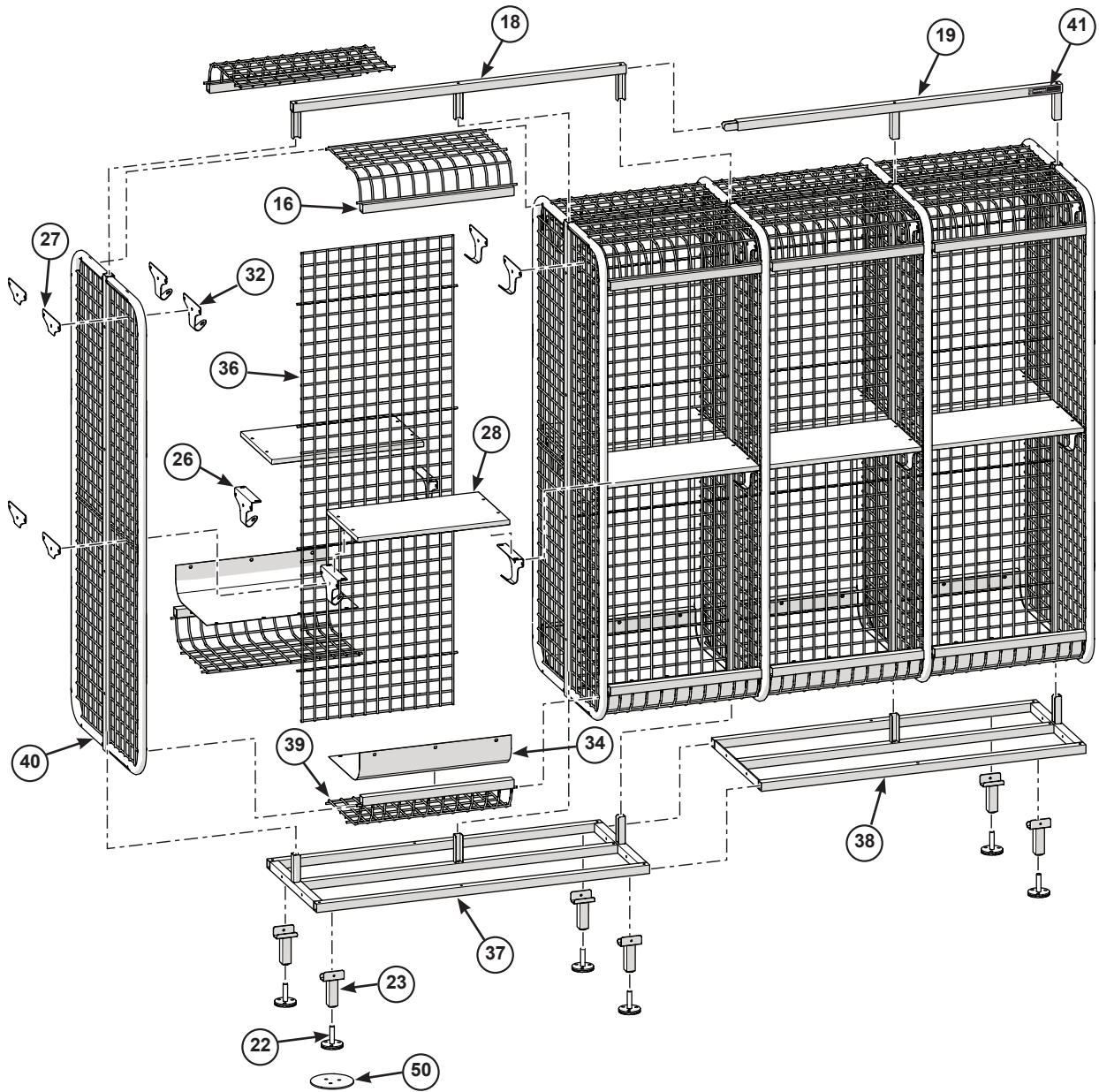
Seated Island Configuration Components

Item	Description	Item	Description	Item	Description
16	Top Grille	27	Hook Cover Plate	36	Island Back Panel
17	Seated Bottom Grille	28	Shelf Panel	37	Island Base Starter
18	Starter Connector	29	Seat Panel	38	Island Base Extension
19	Extension Connector	30	Seat Hinge	41	GearBoss Decal
22	Adjustable Foot	31	Seat Support Weldment	50	Floor Plate (for rubber floors only)
23	Support Leg	32	Double Tier Side Hook Bracket		
26	Shelf Side Hook Bracket	35	Seated Island Side Grille		



Non-Seated Island Configuration Components

Item	Description	Item	Description	Item	Description
16	Top Grille	27	Hook Cover Plate	38	Island Base Extension
18	Starter Connector	28	Shelf Panel	39	Non-Seated Bottom Grille
19	Extension Connector	32	Double Tier Side Hook Bracket	40	Island Non-Seated Side Grille
22	Adjustable Foot	34	Bottom Shelf Shield	41	GearBoss Decal
23	Support Leg	36	Island Back Panel	50	Floor Plate (for rubber floors only)
26	Shelf Side Hook Bracket	37	Island Base Starter		

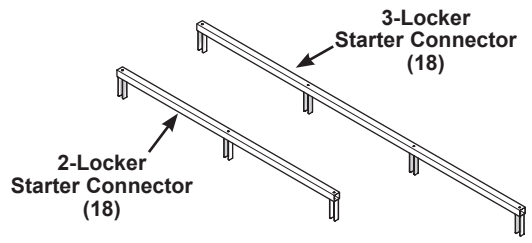


Starter, Extension and Base Variations

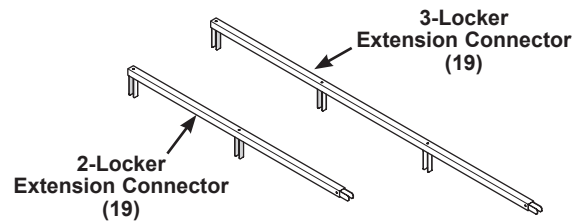
Starter, extension and base variations are dependent upon the intended locker configuration, see the installation drawings to determine which variation will apply.

NOTICE

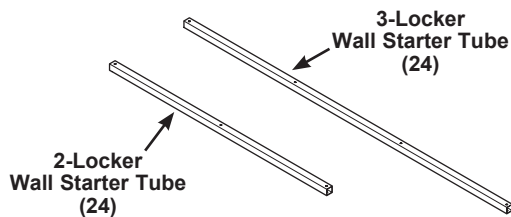
When a locker configuration is not divisible by three, always begin with a 2-locker starter.



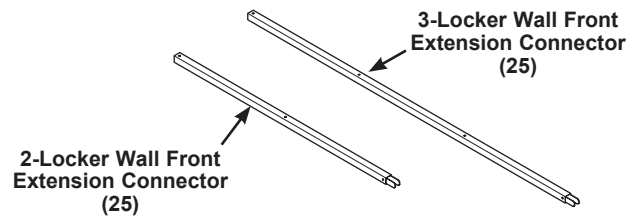
**Starter Connectors
(Wall and Island Configurations)**



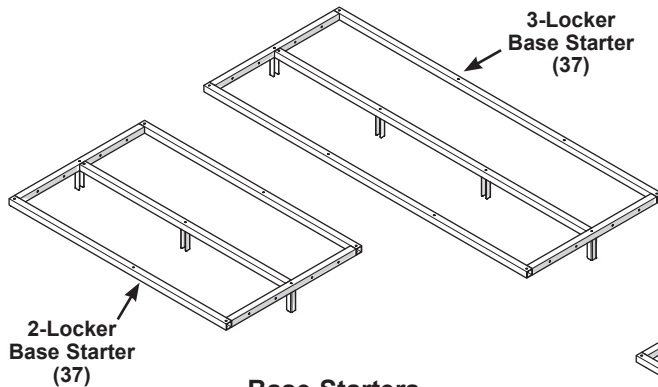
**Extension Connectors
(Wall and Island Configurations)**



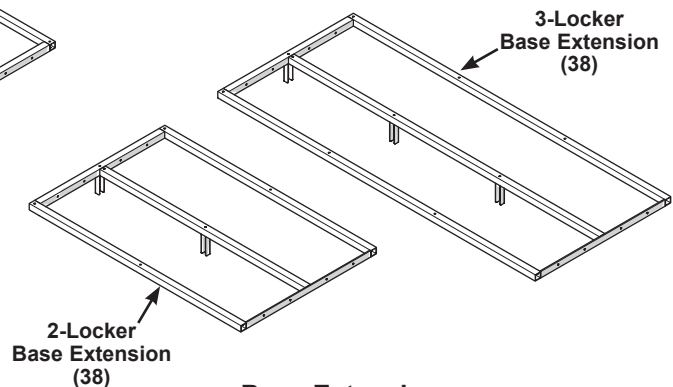
**Wall Starter Tubes
(Wall Configurations)**



**Wall Front Extension Connectors
(Wall Configurations)**



**Base Starters
(Island Configurations)**



**Base Extensions
(Island Configurations)**

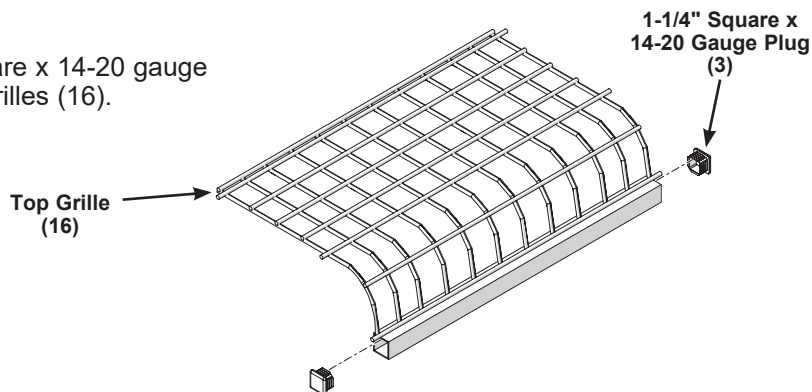
Pre-Installation Assembly

NOTICE

Quantities of the components in these instructions will vary with the length and configuration of each bank of lockers.

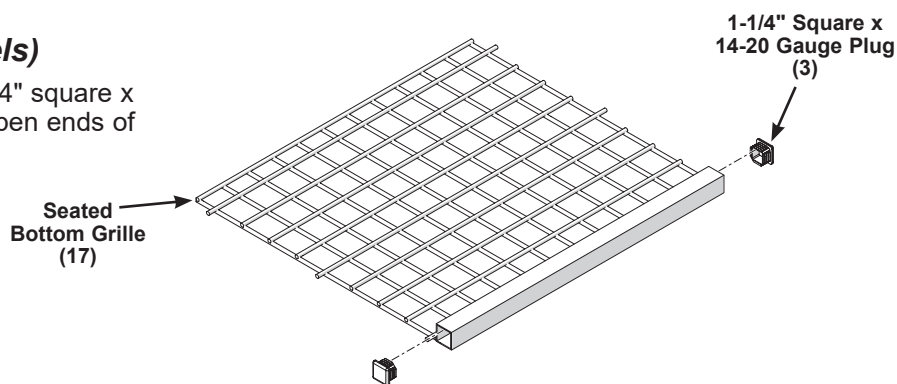
Top Grilles (all models)

1. Use a mallet to carefully tap 1-1/4" square x 14-20 gauge plugs (3) into the open ends of all top grilles (16).



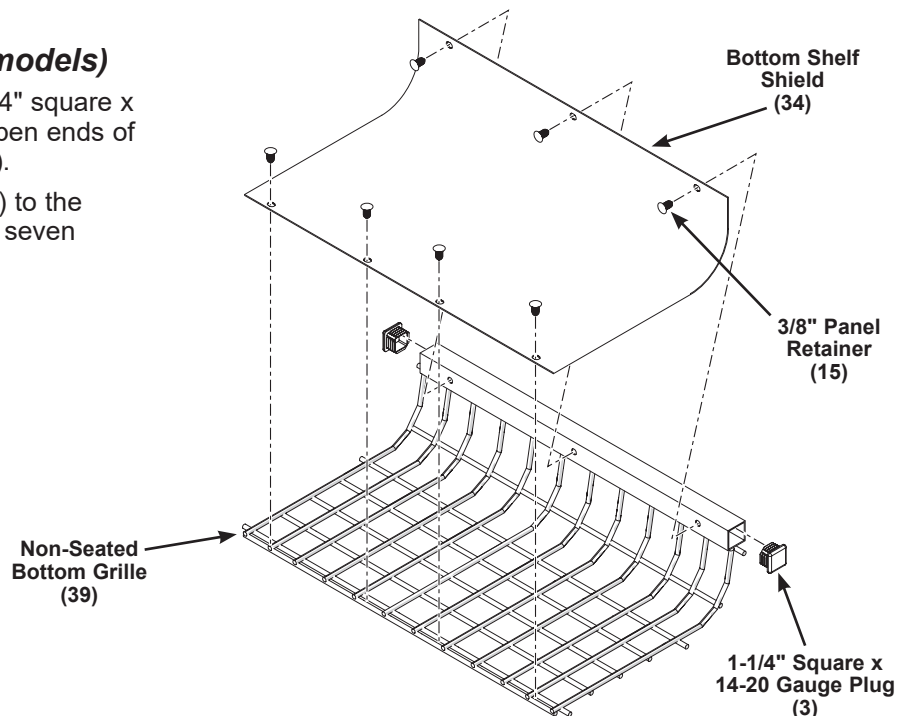
Bottom Grilles (seated models)

1. Use a mallet to carefully tap 1-1/4" square x 14-20 gauge plugs (3) into the open ends of all seated bottom grilles (17).



Bottom Grilles (non-seated models)

1. Use a mallet to carefully tap 1-1/4" square x 14-20 gauge plugs (3) into the open ends of all non-seated bottom grilles (39).
2. Secure a bottom shelf shield (34) to the inside of the bottom grilles using seven 3/8" panel retainers (15).

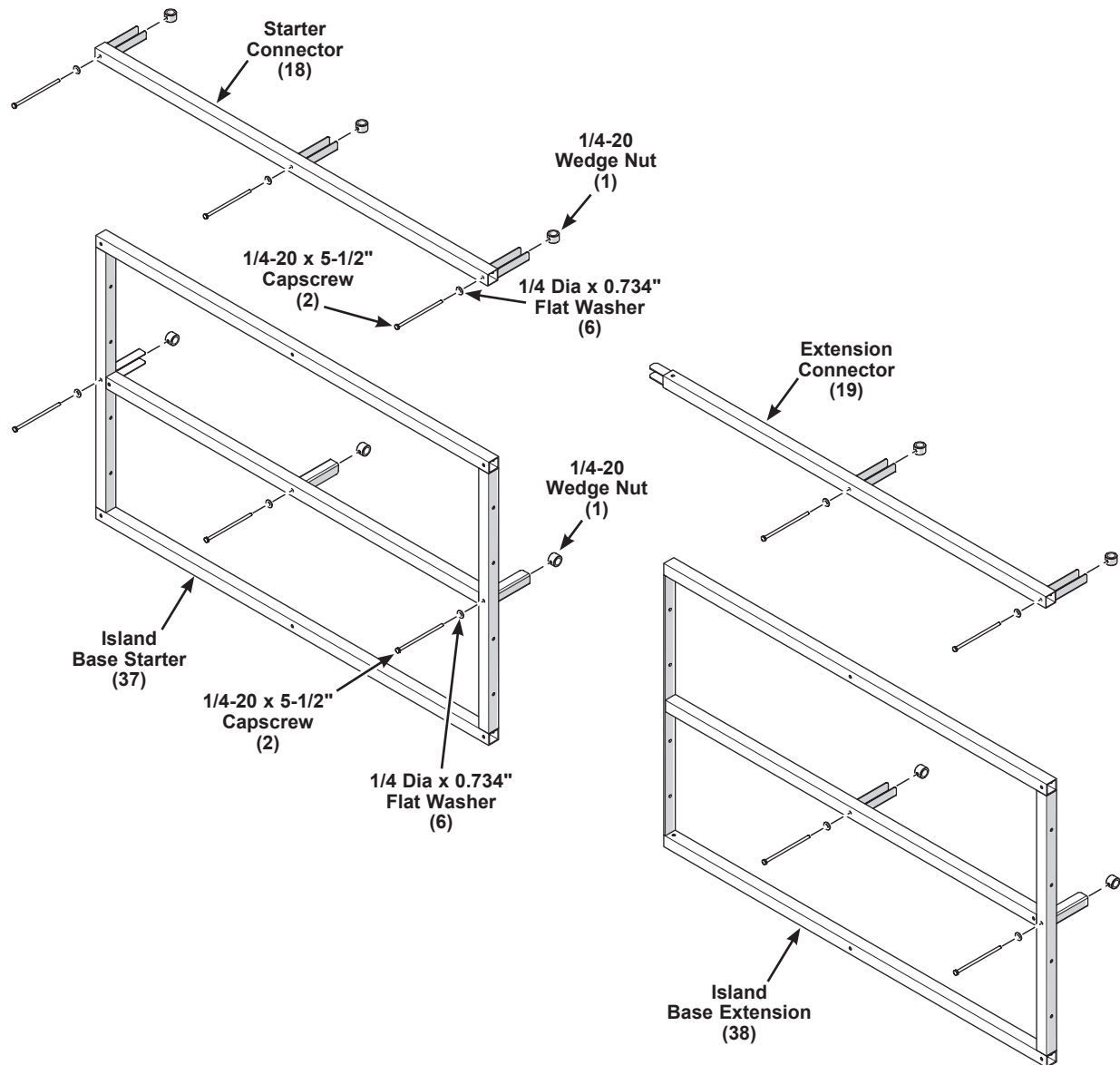


Pre-Installation Assembly (continued)

Starters and Extensions

1. Assemble all of the starter connectors (18), extension connectors (19), island base starters (37) and island base extensions (38).

Finger tighten a set of one 1/4-20 x 5-1/2" capscrew (2), 1/4 dia x 0.734" flat washer (6) and 1/4-20 wedge nut (1) into every connect tube of all starter connectors (19), extension connectors (19), island base starters (37) and island base extensions (38).



Wall Configuration Installation



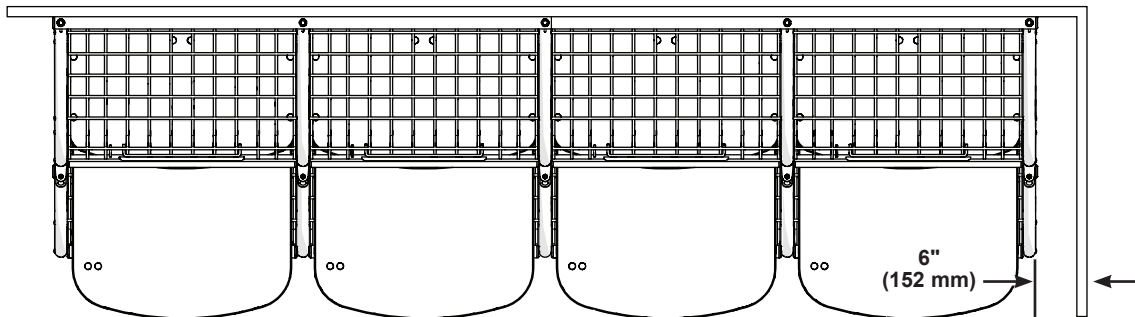
The AirPro Lockers can be installed in either wall or island configurations. This is the procedure for installing the wall locker configuration! For installing the island locker configuration, go to page 25.

NOTICE

When the lockers are to be flush into a corner, the bank needs to start in the flush corner. The wall space must accommodate an extra 6" (152 mm) so the final locker set can be installed into place.

The first bank of lockers (either two or three individual lockers) are mounted to starter tubes. The remaining sets of lockers are mounted on extension tubes.

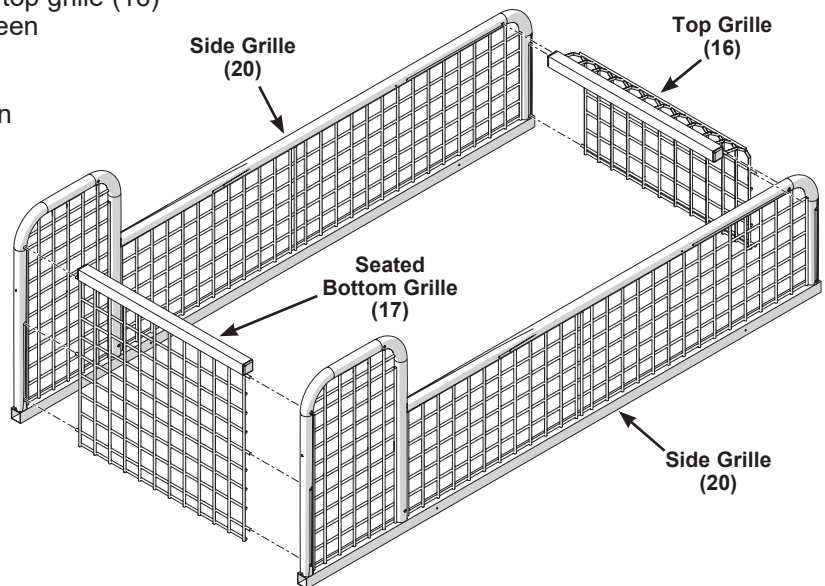
Starting the row with the wrong set of lockers will make it impossible to complete the installation. Refer to the installation drawings.



CAUTION

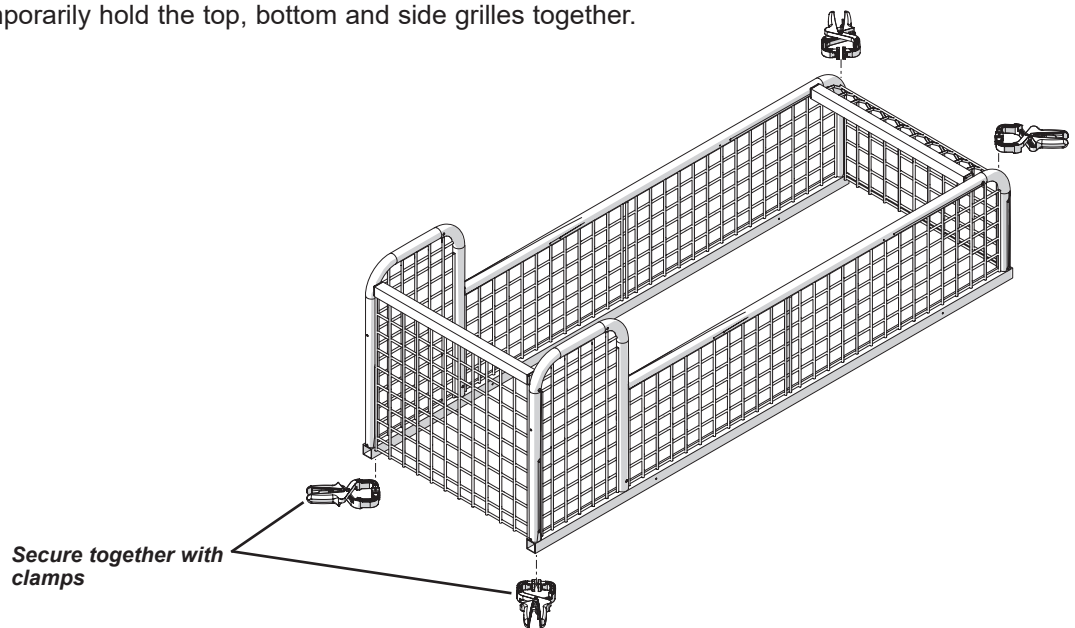
To avoid damage and injury, more than one person is needed for installation.

1. Lay all of the locker components out according to the installation drawings.
2. Build the first locker by positioning one top grille (16) and one seated bottom grille (17) between two wall side grilles (20). Align the extended wires of the top and bottom grilles with the matching holes in the side grilles.



Wall Configuration Installation (continued)

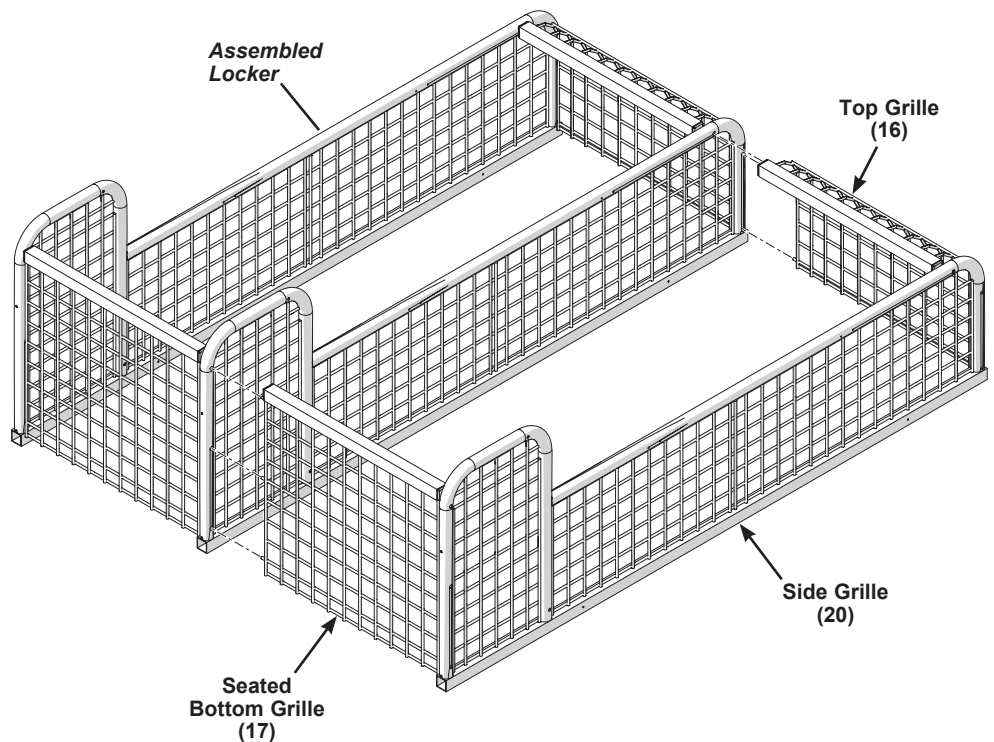
- Use clamps to temporarily hold the top, bottom and side grilles together.



- Build the remaining lockers for this bank off of the just assembled locker depending on the configuration as indicated in the installation drawings.
Repeat steps 2-3 using an additional top grille, bottom grille and side grille to build the next locker off of the side grille from the already assembled locker.

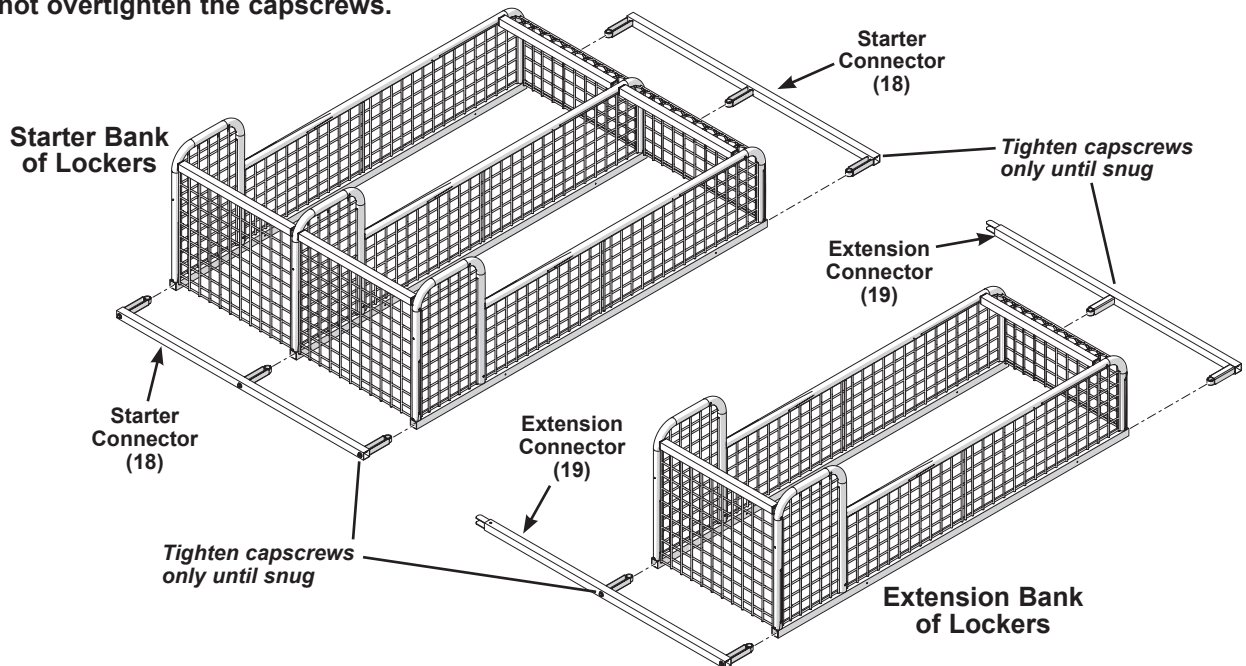
NOTICE

Only assemble the lockers needed to fit on each individual starter or extension connector. Do not assemble an entire bank of lockers, as it could become too heavy to move safely and without damage.

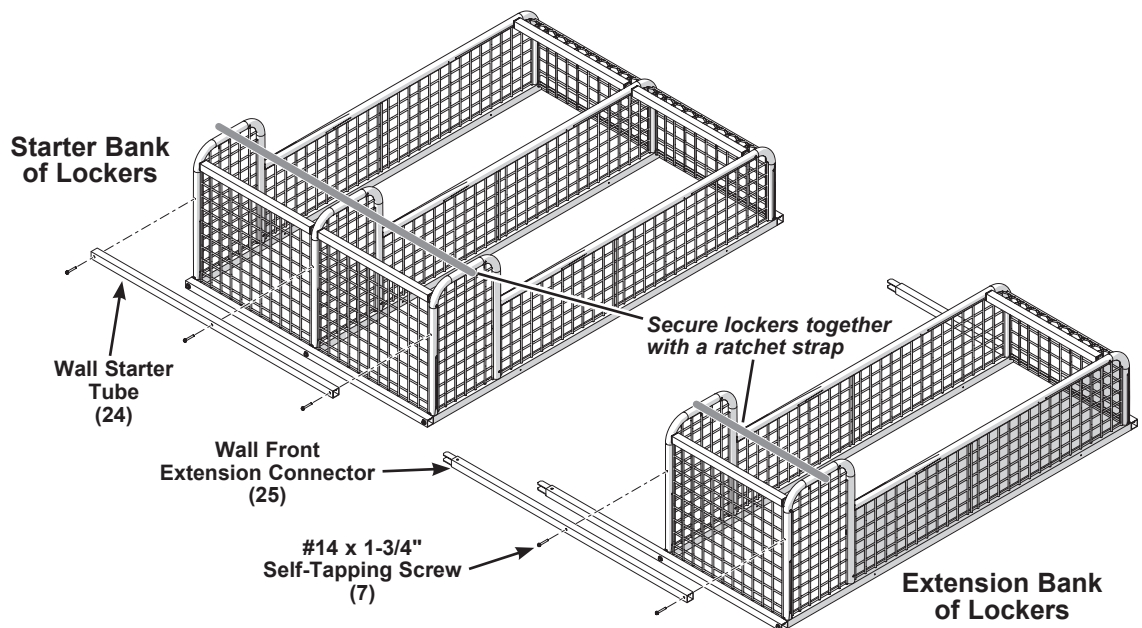


Wall Configuration Installation (continued)

5. Insert the starter connector (18) or extension connector (19) connect tubes into the receptacle at the top and bottom of each side grille.
Tap the connectors until the connect tubes are completely engaged with all of the side grilles.
6. Tighten all of the 1/4-20 x 5-1/2" capscrews until they are snug.
Do not overtighten the capscrews.



7. Attach the wall starter tube (24) or wall front extension connector (25) to the bottom front of the lockers using #14 x 1-3/4" self-tapping screws (7).
8. Secure the lockers together using a ratchet strap across the bottom grilles.
9. Assemble all of the remaining banks of extension lockers by repeating steps 2-8.

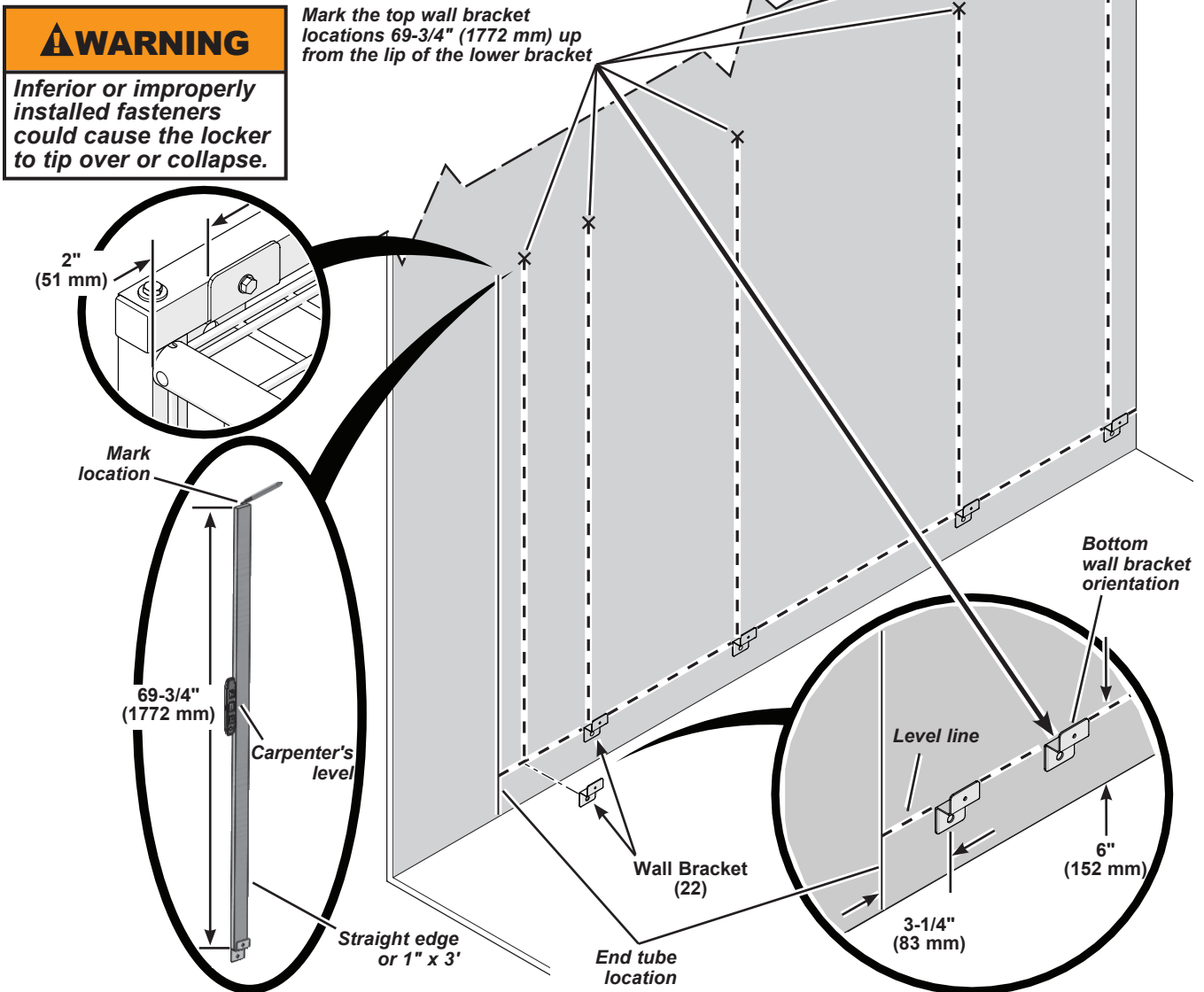


Wall Configuration Installation (continued)

10. Attach Wall Brackets (21) to the wall to support the bottom of the lockers.

- See the installation drawings for wall bracket locations.
- Find the low spot along the wall run.
Measure up on the back wall 6" (152 mm) from the low spot and snap a level line as a guide for the lower wall bracket installation.
- Measure and mark the horizontal location of each wall bracket along the snapped line in step b.
The wall brackets at the ends of each bank must be placed approximately 2" (51 mm) from the face of the end tubes, center hole 3-1/4" (83 mm) over.
All subsequent brackets must not fall in the location of a vertical tube.
- Attach the wall brackets to the wall using the appropriate fasteners and method described in the "Fasteners - Not Supplied" section.

Note: The orientation of the wall brackets must match the detail view.



11. Mark the locations for the wall brackets (21) to the wall to support the top of the lockers.

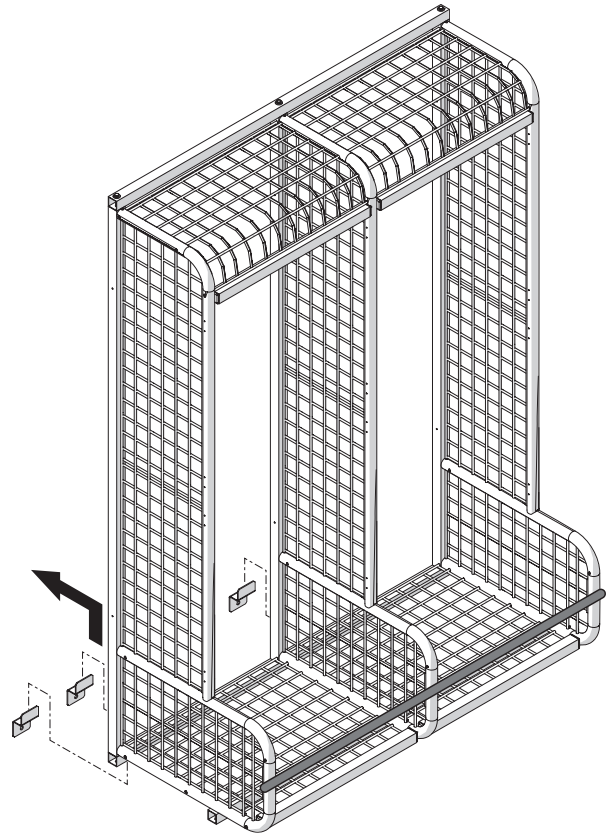
- Using a straight edge and carpenter's level (or 1" x 3' cut to length), transfer the marks up 69-3/4" (1772 mm) from the top lip of each lower bracket.
- Drill pilot holes in these locations for the appropriate fasteners and method described in the "Fasteners - Not Supplied" section.

Wall Configuration Installation (continued)

12. Using more than one person, tip the bank of lockers upright and lift them onto the wall brackets. Lean the lockers slightly forward to tip into the brackets.

CAUTION
To avoid damage and injury, more than one person is needed for installation.

13. Push the top of the lockers to be flush with the back wall and have people hold them in place.



14. Attach wall brackets (22) to the wall to support the top of the lockers.

- Align the position of the top wall brackets with the position of the already attached bottom wall brackets.
- Check the bank of lockers for level and plumb and make any necessary adjustments before attaching each top wall bracket to the starter connector using 1/4-14 x 3/4" self-tapping screws (5).
- Attach the top wall brackets to the wall using the appropriate fasteners and method described in the "Fasteners - Not Supplied" section.

Wall bracket orientation

1/4-14 x 3/4"
Self-Tapping Screw
(5)

Align the top wall brackets with the bottom wall brackets

Remove ratchet strap after lockers are attached to the wall

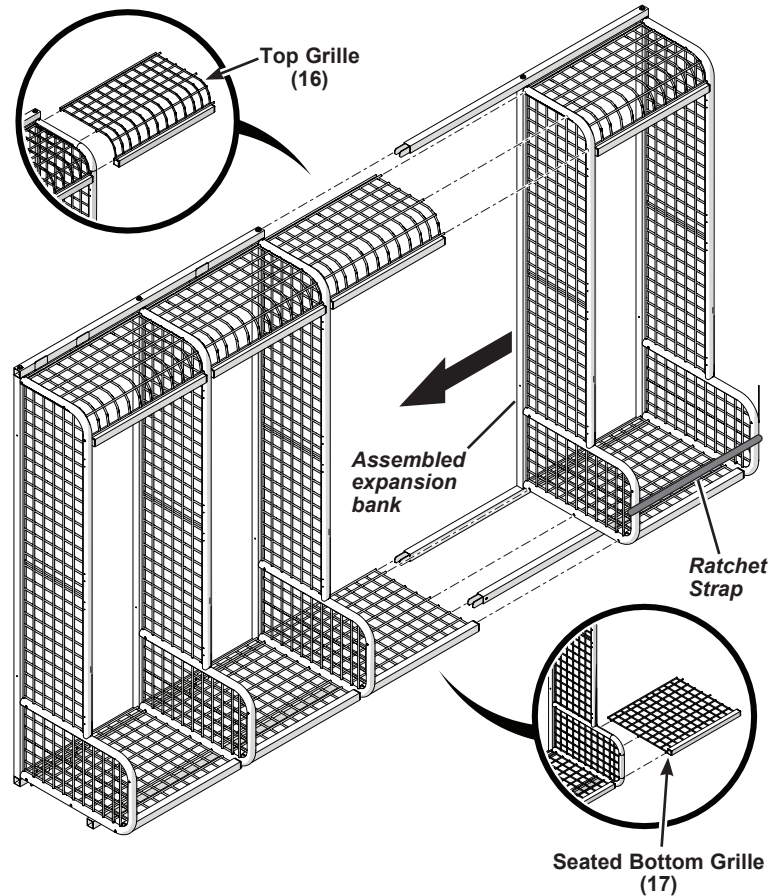
NOTICE
The orientation of the wall brackets must match the detail view.

15. The ratchet strap can now be removed from the bottom of the locker.

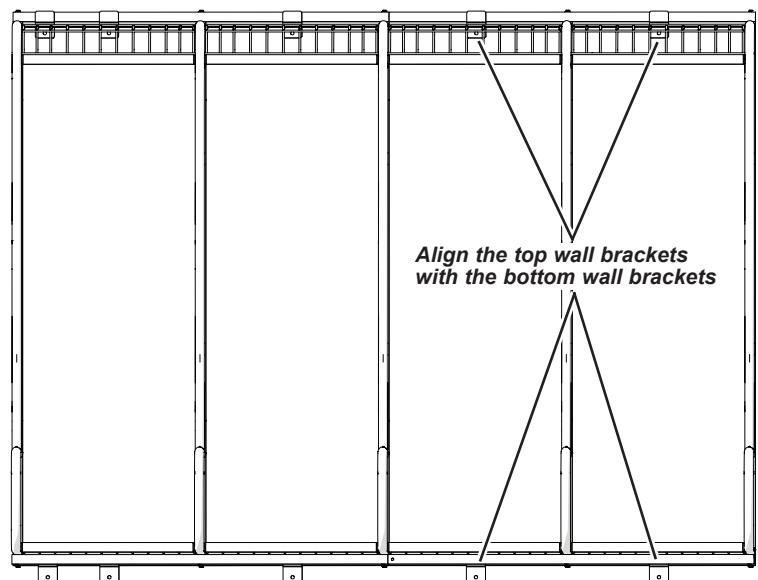
Wall Configuration Installation (continued)

16. Add any additional extension banks to the end of the starter lockers attached to the wall.

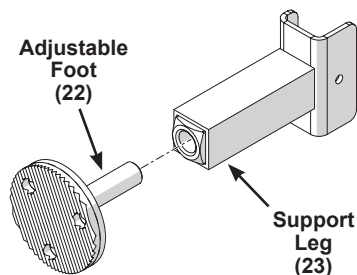
- Position one top grille (16) and one seated bottom grille (17) on the end wall side grilles (20) of the attached locker bank. Align the extended wires of the top and bottom grilles with the matching holes in the side grille.
- Use ratchet straps to temporarily hold the top and bottom grilles in place.
- Using more than one person, tip the bank of lockers upright and lift them onto the wall brackets. Lean the lockers slightly forward to tip into the brackets.
- Push the top of the lockers to be flush with the back wall and slide the extension connectors to fit into the ends of the starter connectors and tubes.
- Align the extended wires of the top and bottom grilles with the matching holes in the extension side grille.



17. Attach the top wall brackets and remove the ratchet strap as described in steps 13-14.



18. Screw an adjustable foot (22) into each of the support legs (23).



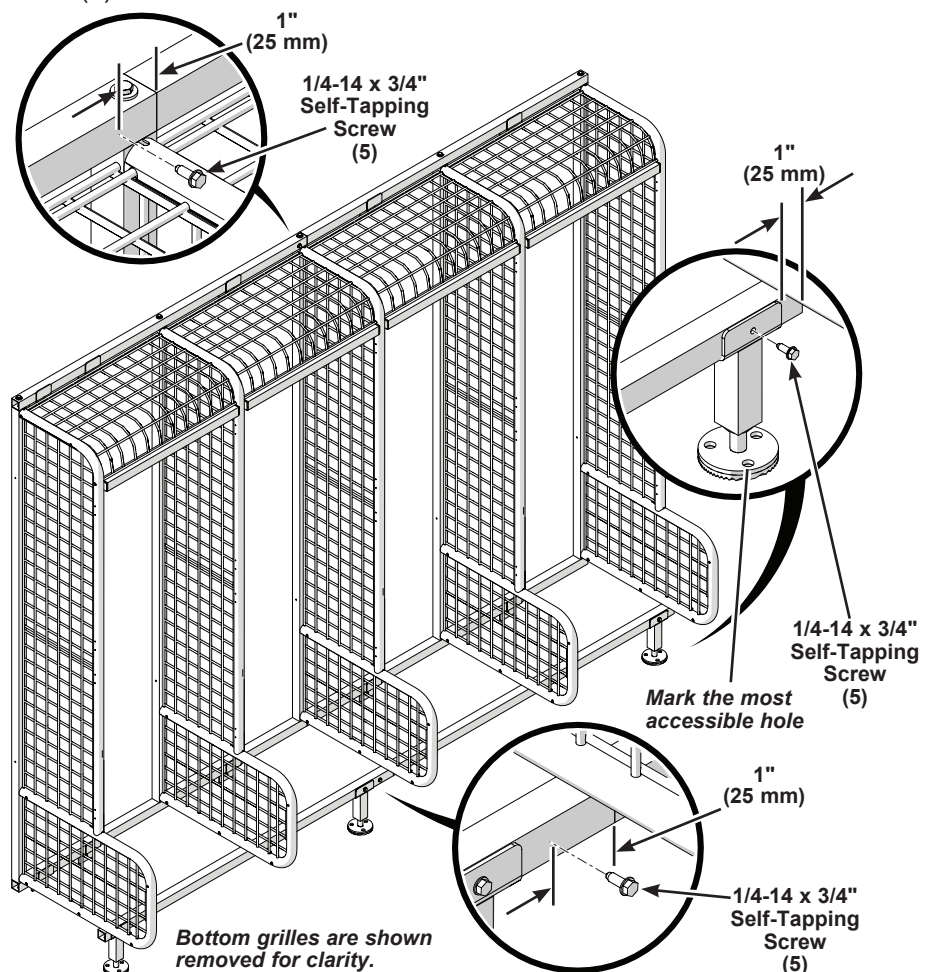
Wall Configuration Installation (continued)

19. Attach the top starter connector to the extension connector and the bottom front wall starter tube to the wall front extension connector using one 1/4-14 x 3/4" self-tapping screw (5). Position the screw 1" (25 mm) from the edge of the starter connector.
20. Attach the support legs to the lockers.
 - a. With the pilot hole tab facing out from the lockers, place one support leg at each end of the bank of lockers. Position the support legs to fit under the wall starter tube and front extension connector and to be 1" (25 mm) in from the end of the tubes.
 - b. Evenly space additional support legs under the bank according to the installation drawings.

NOTICE

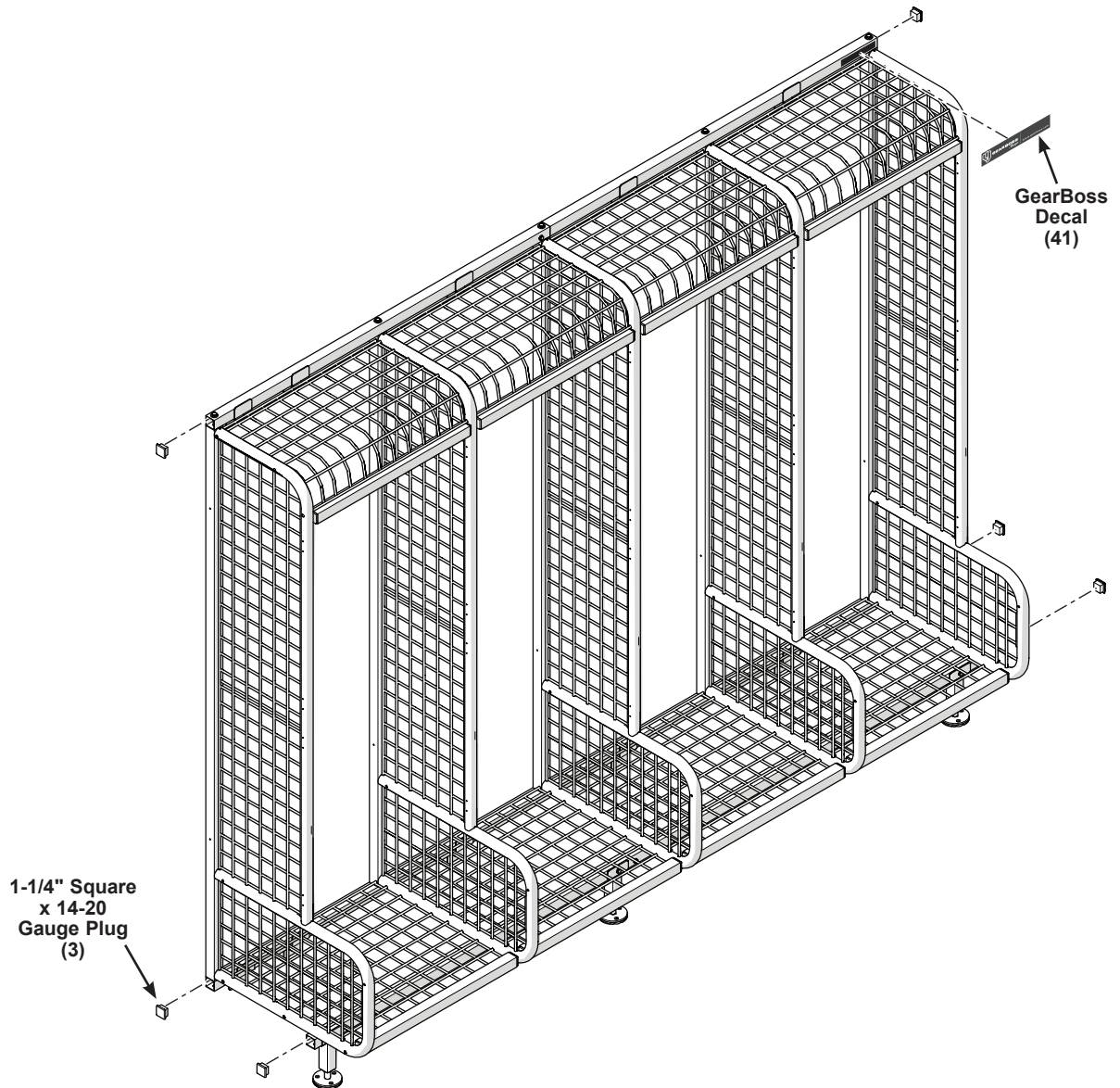
The support legs should not be spaced more than 48" (1219 mm) apart.

- c. Unscrew the adjustable feet to be tight against the floor. Mark the location of one hole on each of the feet. **Only one hole need be marked, choose the most accessible hole.**
- d. Remove the support legs from the lockers and drill pilot holes into the marked floor locations.
- e. Reposition the support legs back to their original position. Secure each adjustable foot into the floor pilot holes using the appropriate fasteners and method described in the "fasteners - not supplied" section.
- f. Attach the top of the support legs to the wall starter tube and front extension connectors using 1/4-14 x 3/4" self-tapping screws (5).



Wall Configuration Installation (continued)

21. Use a mallet to carefully tap 1-1/4" square x 14-20 gauge plugs (3) into the open ends of the starter connectors, extension connectors, wall starter tubes and extension connectors.
22. Attach a gearboss decal (41) to the front of a starter or extension connector at one end of the locker bank.



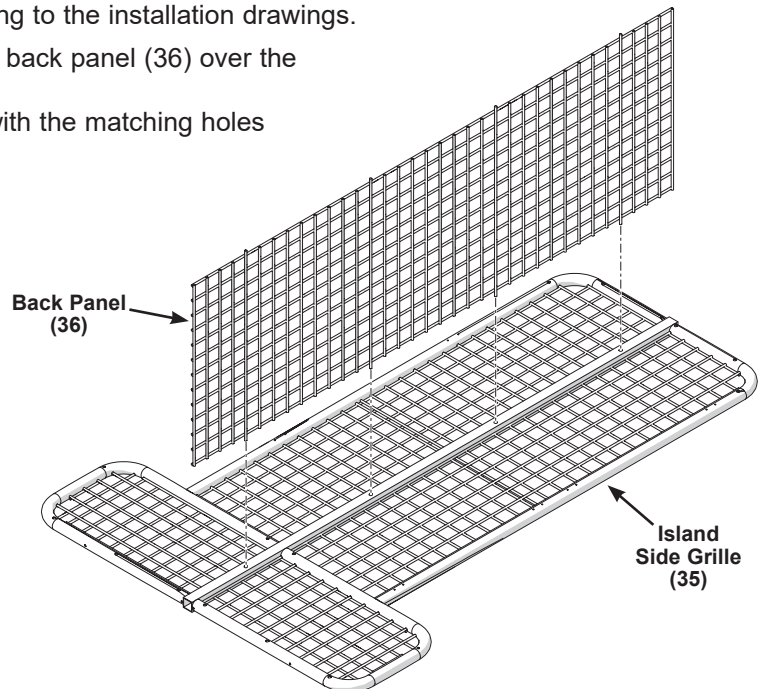
23. Install additional island configuration lockers by following the steps on the following pages or **skip ahead to "Final Assembly" on page 34.**

Island Configuration Installation

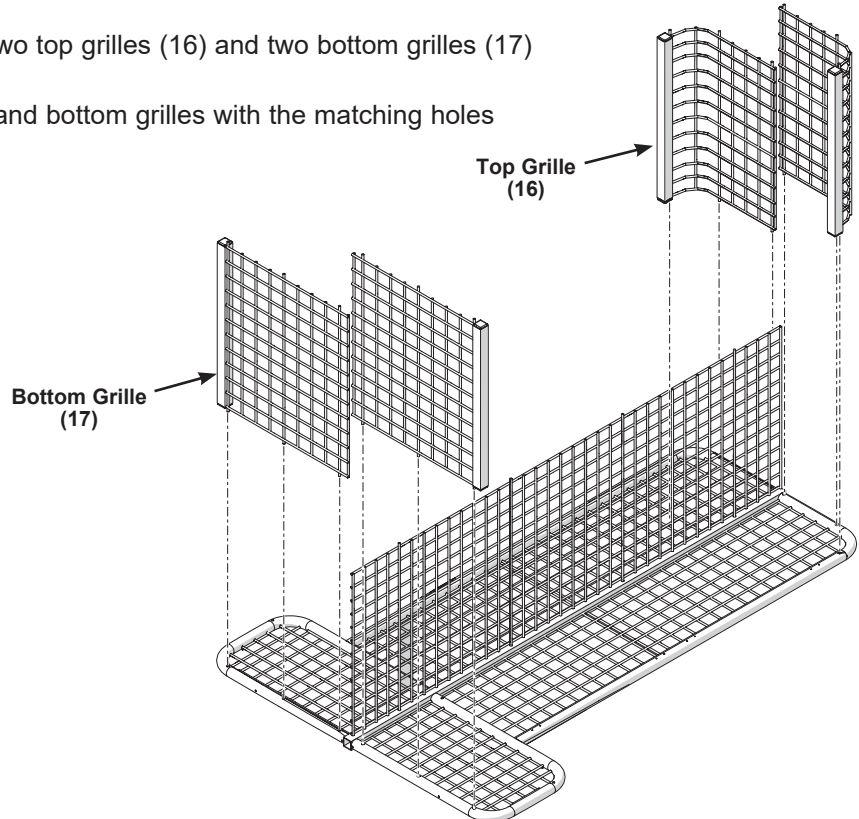


The AirPro Lockers can be installed in either wall or island configurations. This is the procedure for installing the island locker configuration! For installing the wall locker configuration, go to page 17.

1. Lay all of the locker components out according to the installation drawings.
2. Lay one island side grille (35) flat and fit one back panel (36) over the center weldment.
Align the extended wires of the back panel with the matching holes in the side grille.



3. Build the first locker by positioning two top grilles (16) and two bottom grilles (17) on both sides of the back panel.
Align the extended wires of the top and bottom grilles with the matching holes in the side grille.



Island Configuration Installation (continued)

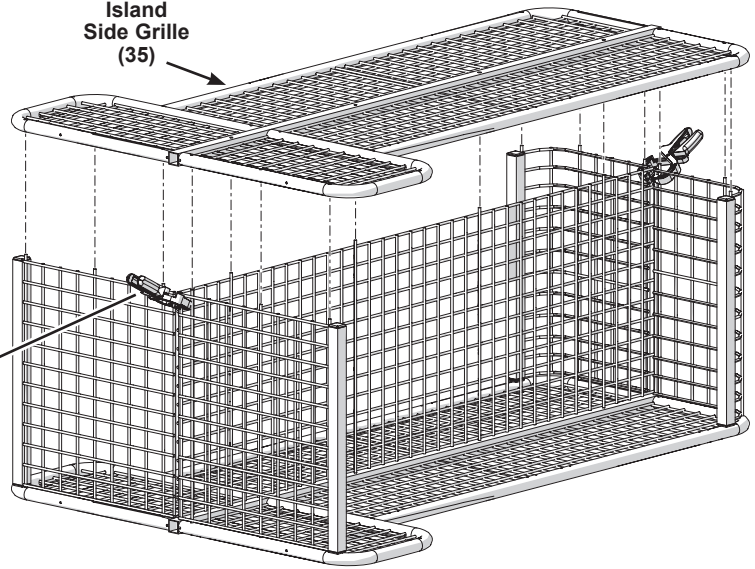
4. Use clamps to temporarily hold the top, bottom and back grilles together.

5. Place another island side grille (35) onto the top grilles, bottom grilles and back panel.

Align the holes in the side grille with the extended wires of the top, bottom and back grilles.

Secure together with clamps

Island Side Grille (35)

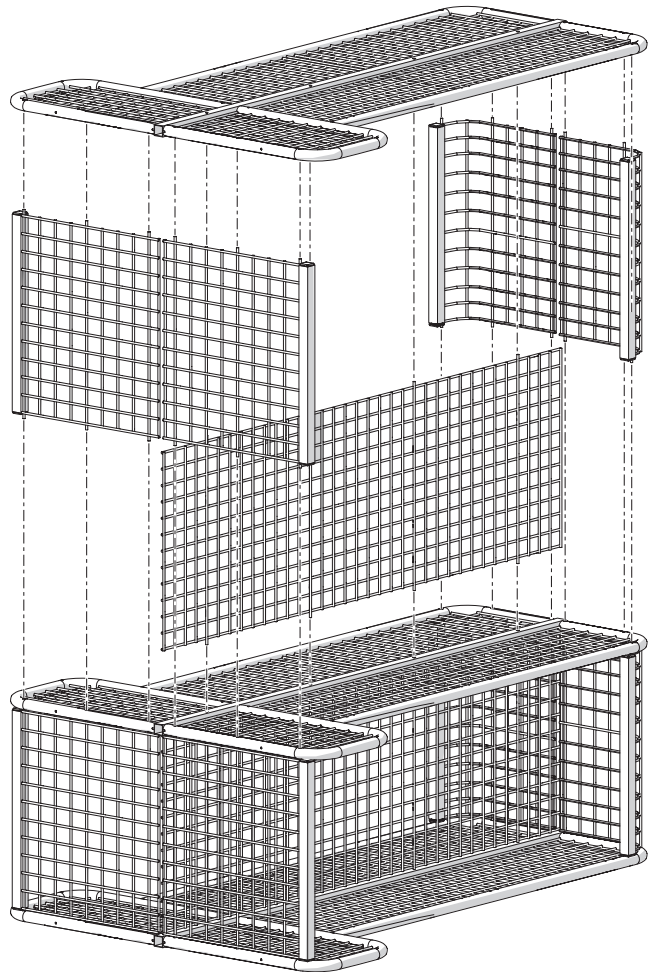


6. Build the remaining lockers for this bank off of the just assembled locker depending on the configuration as indicated in the installation drawings.

Repeat steps 2-5 using additional top grilles, bottom grilles and back panel to build the next locker off of the side grille from the already assembled locker.

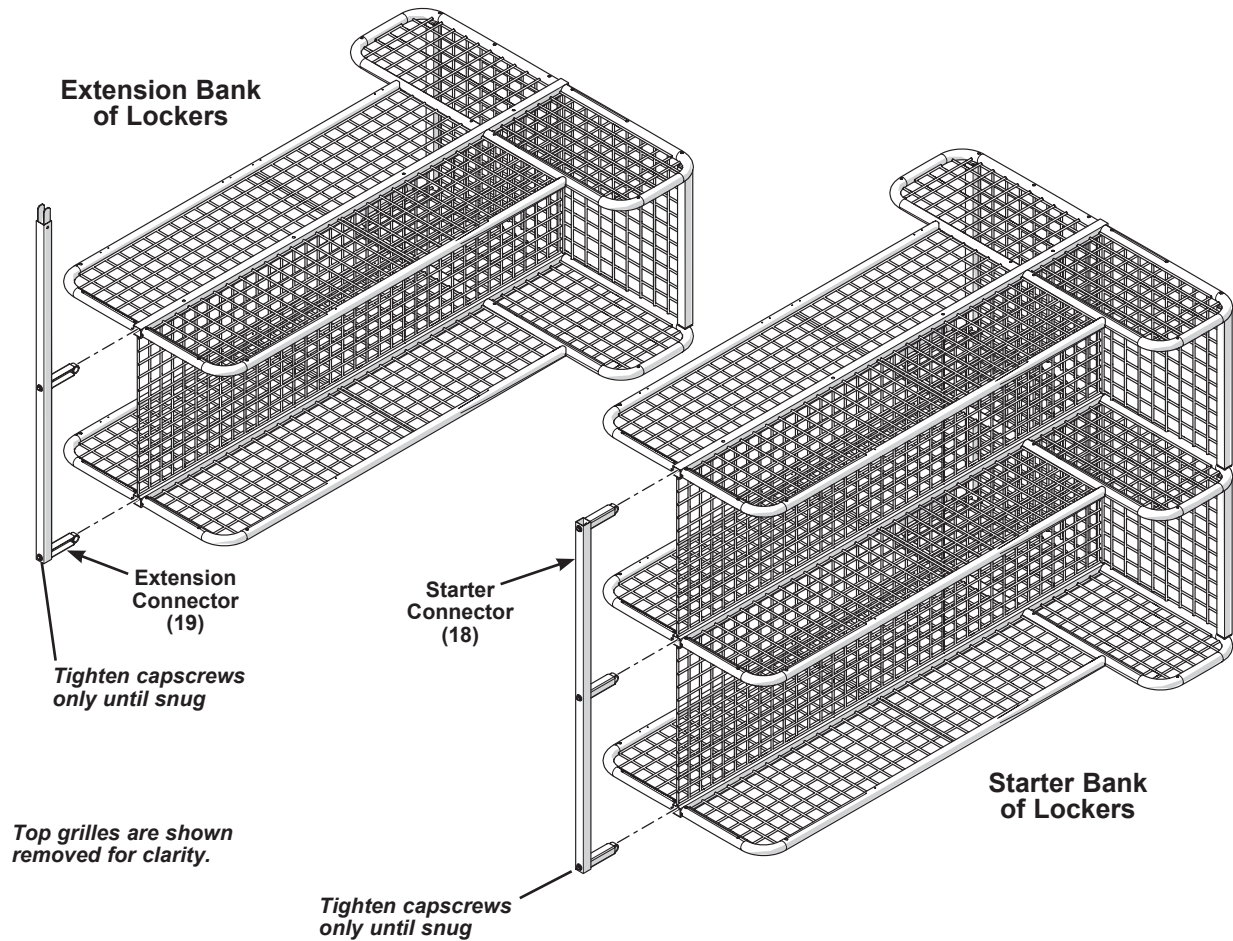
NOTICE

Only assemble the lockers needed to fit on each individual starter or extension connector. Do not assemble an entire bank of lockers, as it could become too heavy to move safely and without damage.



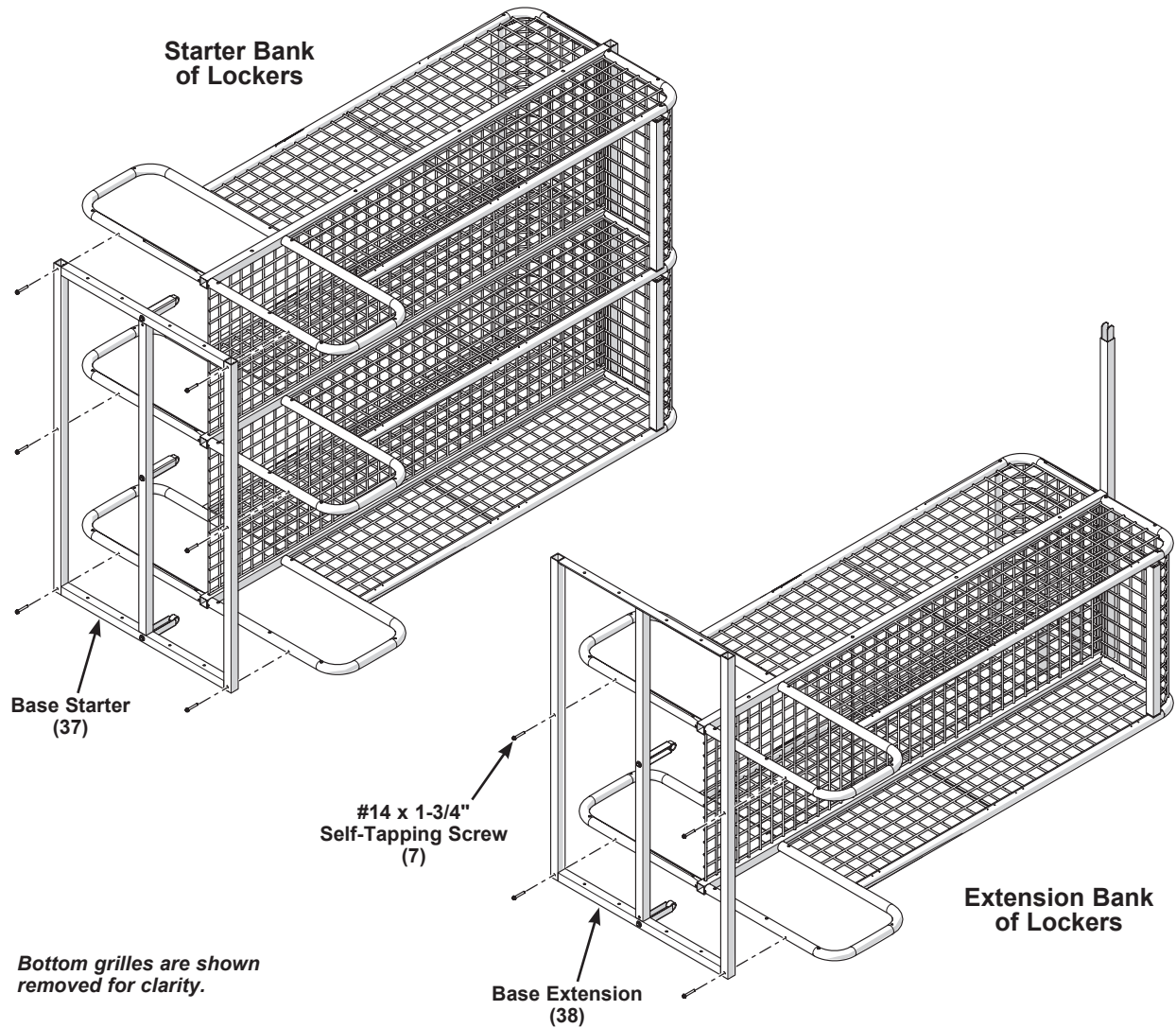
Island Configuration Installation (continued)

7. Insert the starter connector (18) or extension connector (19) connect tubes into the receptacle at the top of each side grille.
Tap the connectors until the connect tubes are completely engaged with all of the side grilles.
8. Tighten all of the 1/4-20 x 5-1/2" capscrews until they are snug.
Do not overtighten the capscrews.



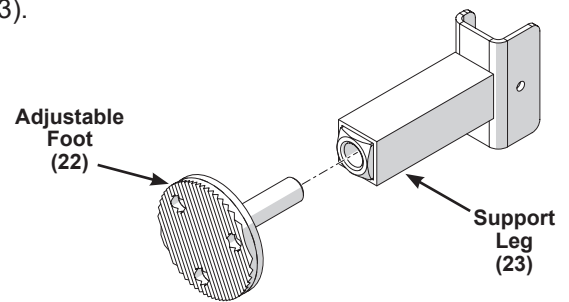
Island Configuration Installation (continued)

9. Insert the base starter (37) or base extension (38) connect tubes into the receptacle at the bottom of each side grille.
Tap the connectors until the connect tubes are completely engaged with all of the side grilles.
10. Attach the base to the side grilles using #14 x 1-3/4" self-tapping screws (7) in the front and back.
11. Tighten all of the 1/4-20 x 5-1/2" capscrews until they are snug.
Do not overtighten the capscrews.



Island Configuration Installation (continued)

12. Screw an adjustable foot (22) into each of the support legs (23).

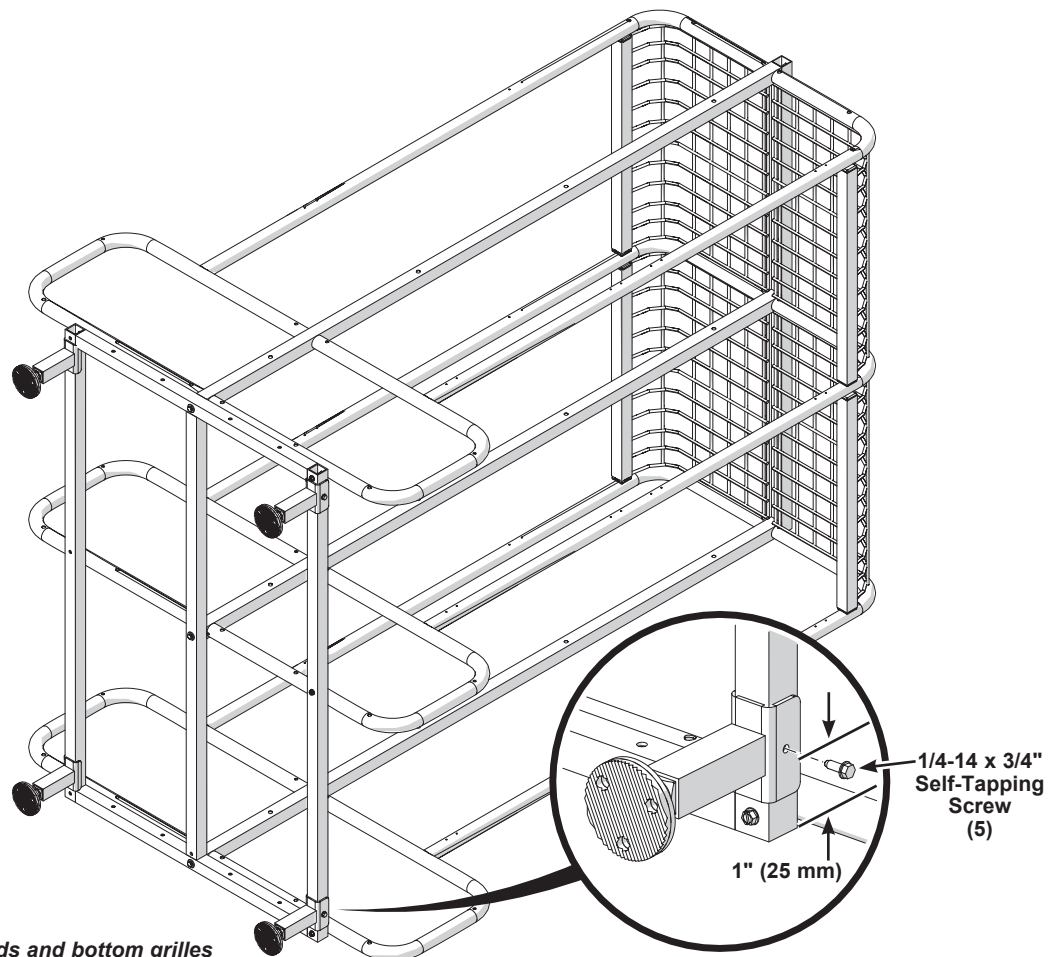


13. Attach the support legs to the lockers.

- With the pilot hole tab facing out from the lockers, position four support legs to be 1" (25 mm) in from the each end of the base.
- Attach the top of the support legs to the base using 1/4-14 x 3/4" self-tapping screws (5).
- Evenly space and attach additional support legs under the bank according to the installation drawings.

NOTICE

The support legs should not be spaced more than 48" (1219 mm) apart.



Wire grids and bottom grilles are shown removed for clarity.

Island Configuration Installation (continued)

14. Using more than one person, lift the bank of lockers upright and onto the installation location.

NOTICE

Be careful not to apply too much sideways force on the support legs.

CAUTION

To avoid damage and injury, more than one person is needed for installation.

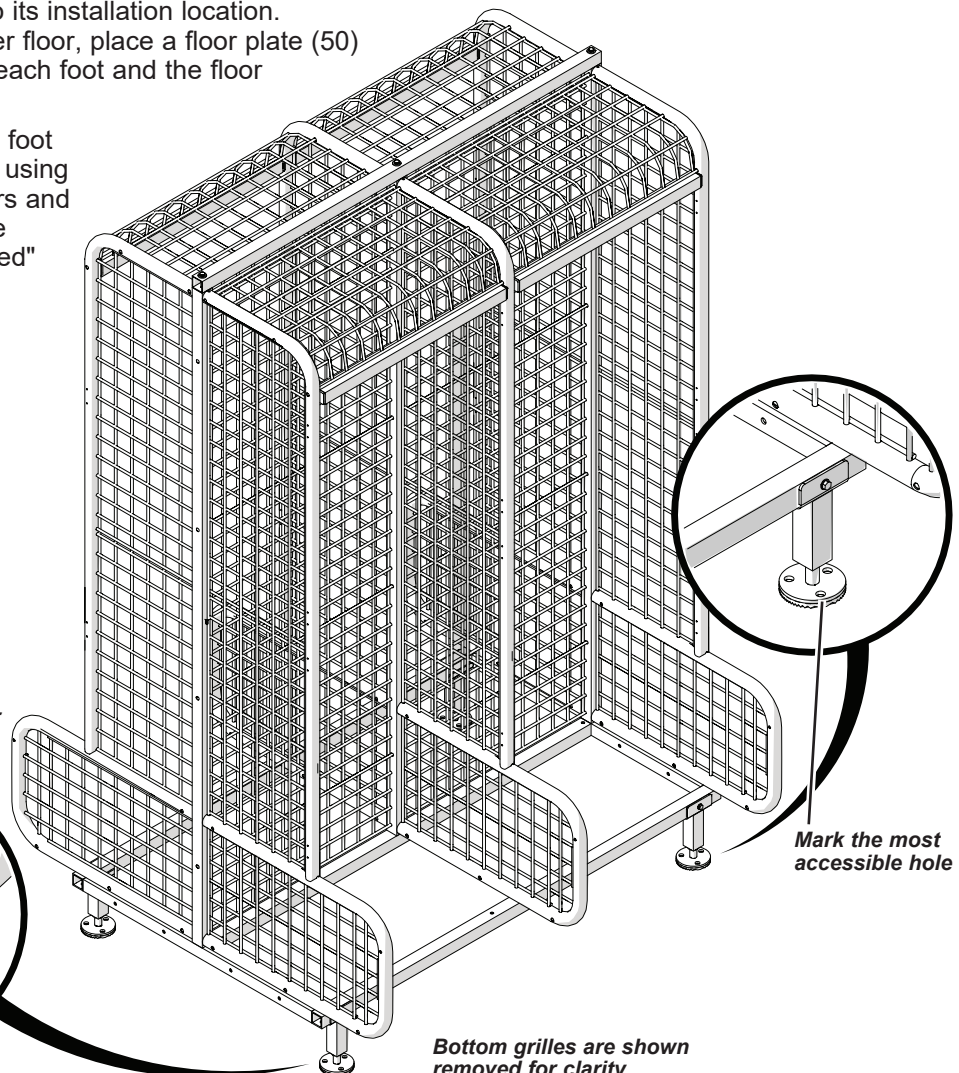
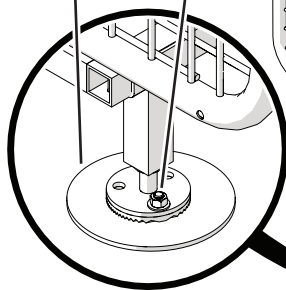
15. Assemble all of the remaining banks of extension lockers by repeating steps 2-14.

16. Attach the support legs of the starter bank of lockers to the floor.

- With the locker in its installation location, unscrew the adjustable feet to level the lockers and set the height from the floor. Mark the location of one hole on each of the feet. **Only one hole need to be marked, choose the most accessible hole.**
- Move the locker to allow access to the marked locations.
- Drill pilot holes into the marked floor locations.
- Move the locker back to its installation location. If installing onto a rubber floor, place a floor plate (50) between the bottom of each foot and the floor before securing.
- Secure each adjustable foot into the floor pilot holes using the appropriate fasteners and method described in the "Fasteners - Not Supplied" section.

*Floor plate (40) -
for use on rubber floors only*

Secured to floor



*Mark the most
accessible hole*

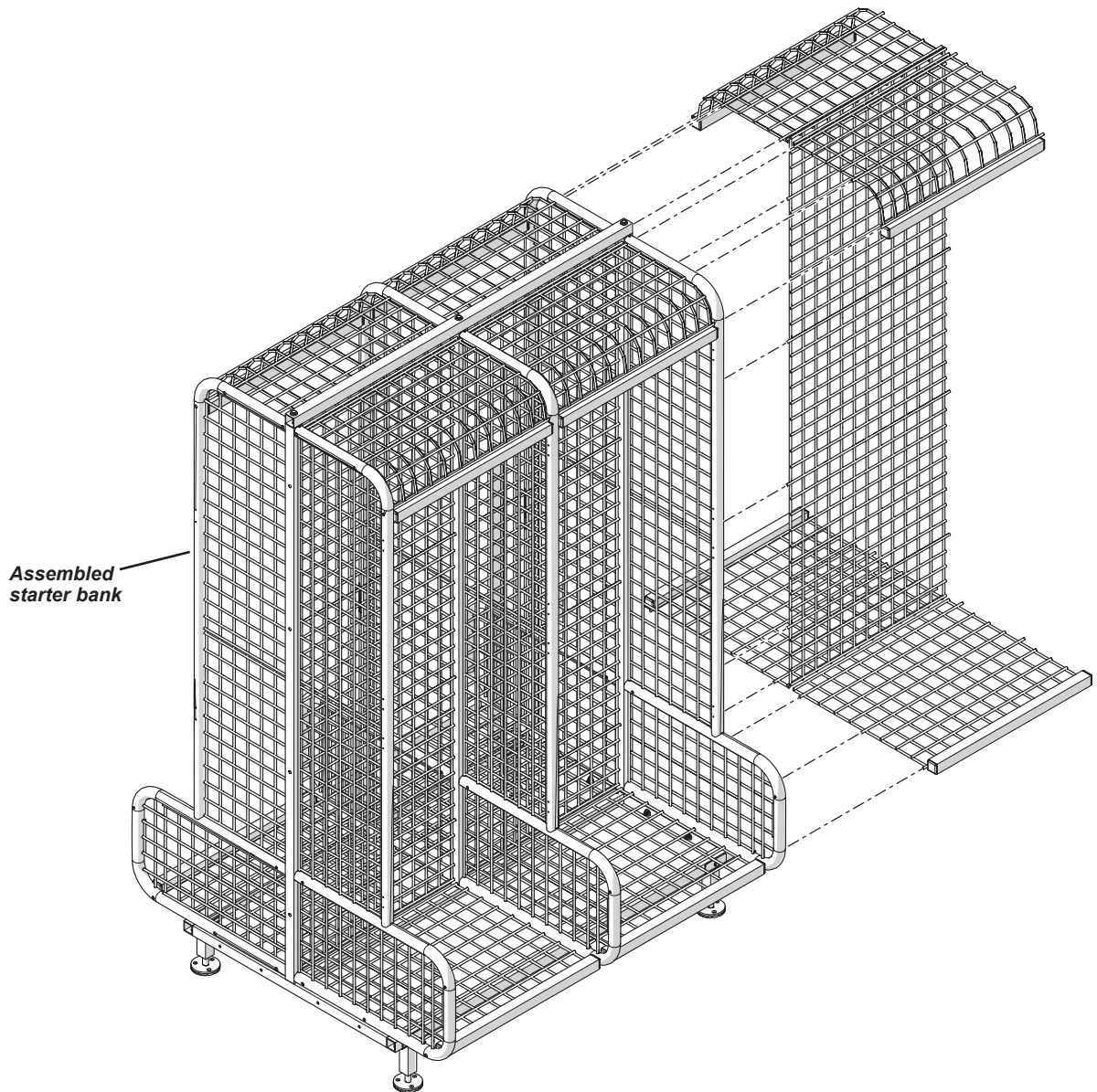
*Bottom grilles are shown
removed for clarity.*

Island Configuration Installation (continued)

17. Add any additional extension banks to the end of the starter lockers attached to the wall.
- Position two top grilles (16), two bottom grilles (17) and one back panel (36) on the end of the island side grille (35) of the attached locker bank.

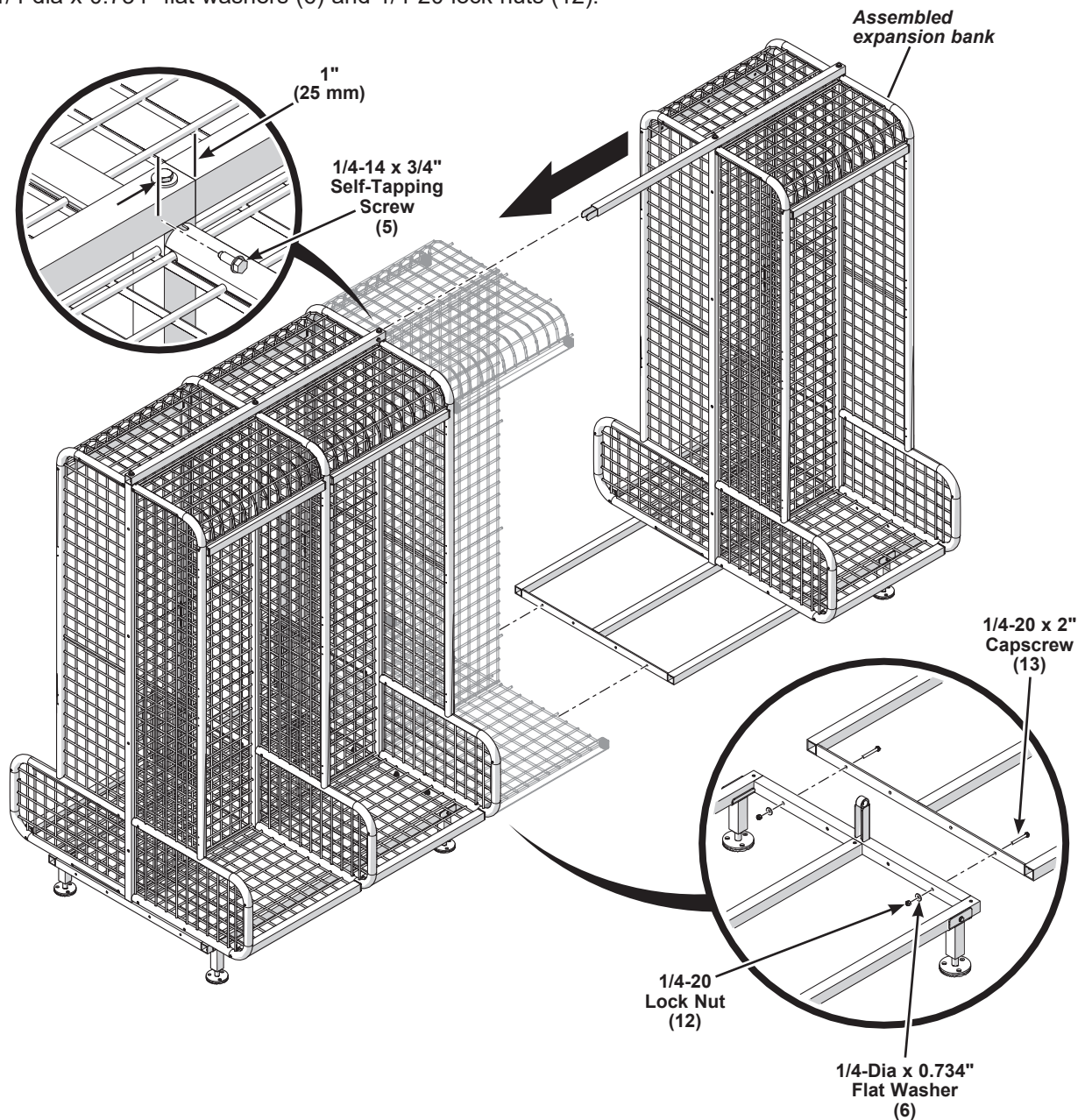
Align the extended wires with the matching holes in the side panel.

- Use clamps to temporarily hold them in place.



Island Configuration Installation (continued)

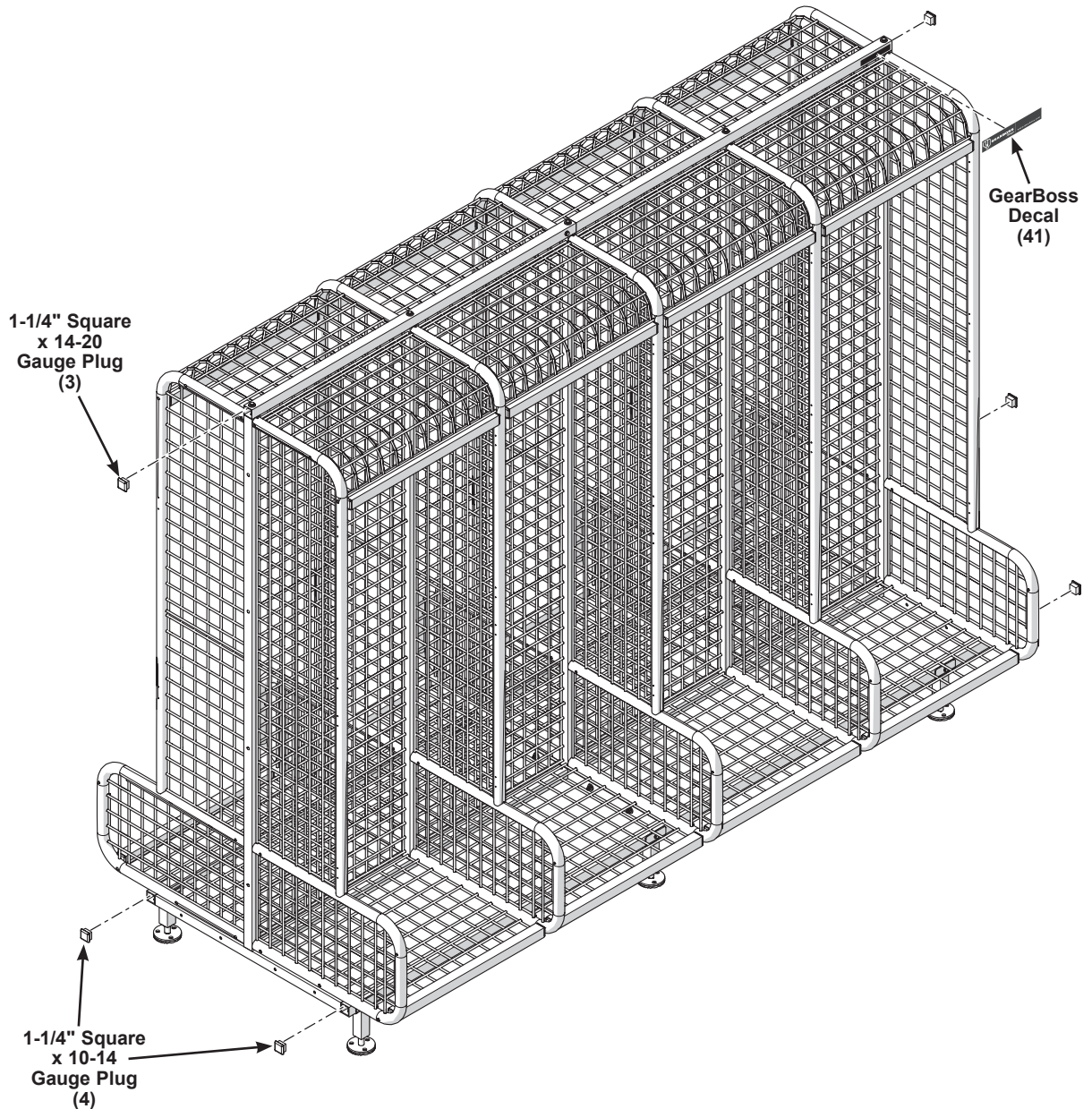
- c. Using more than one person, position the bank of extension lockers to align flush with the starter lockers.
- d. Align the extended wires of the top grilles, bottom grilles and back panel with the matching holes in the extension side panel.
- e. Connect the base extension to the base starter using two 1/4-20 x 2" capscrews (13), 1/4 dia x 0.734" flat washers (6) and 1/4-20 lock nuts (12).



18. Attach the starter connector to the extension connector using one 1/4-14 x 3/4" self-tapping screw (5). Position the screw 1" (25 mm) from the edge of the starter connector.
19. Attach the support legs of the expansion bank of lockers to the floor. Use the same procedure as described for the starter bank in step 16.

Island Configuration Installation (continued)

20. Use a mallet to carefully tap 1-1/4" square x 14-20 gauge plugs (3) into the open ends of the starter connectors and extension connectors.
21. Use a mallet to carefully tap 1-1/4" square x 10-14 gauge plugs (4) into the open ends of the base starters and base extensions.
22. Attach a GearBoss decal (41) to the front of a starter or extension connector at one end of the locker bank.



23. Install additional island configuration lockers by following the steps on the following pages or **skip ahead to "Final Assembly" on page 34.**

Final Assembly

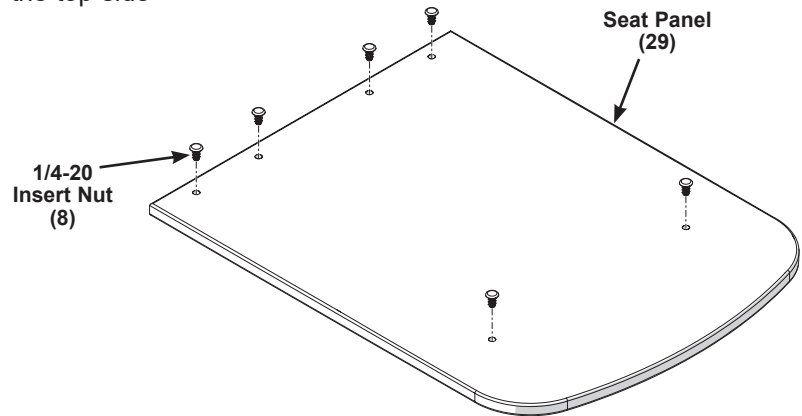


*This procedure applies to both wall and island locker configurations.
A single wall locker is shown for clarity but the procedure is similar for all configurations.*

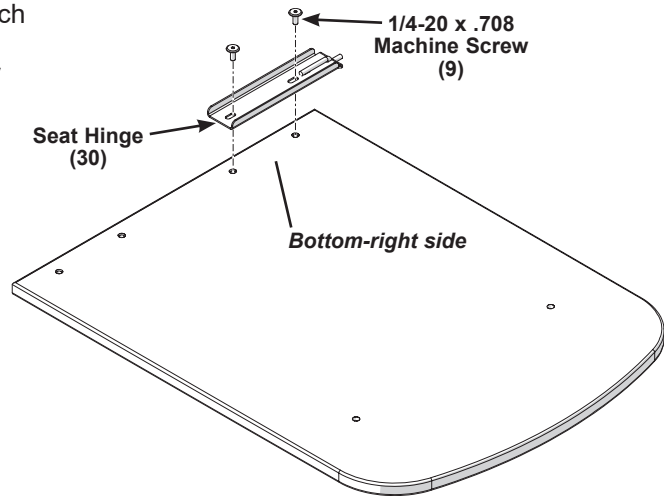


*Steps 1-6 apply to seated lockers only.
If installing non-seated lockers, skip ahead to step 8.*

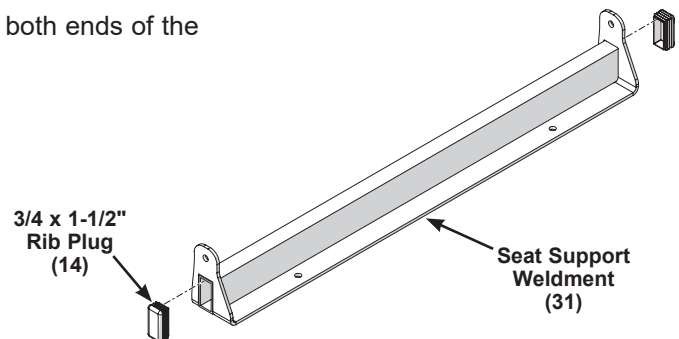
1. Push or tap six 1/4-20 insert nuts (8) into the top side of all seat panels (29).



2. On the opposite side of the seat panels, loosely attach one seat hinge (30) to the bottom-right using two 1/4-20 x .708 Machine screws (9) into the previously installed insert nuts.

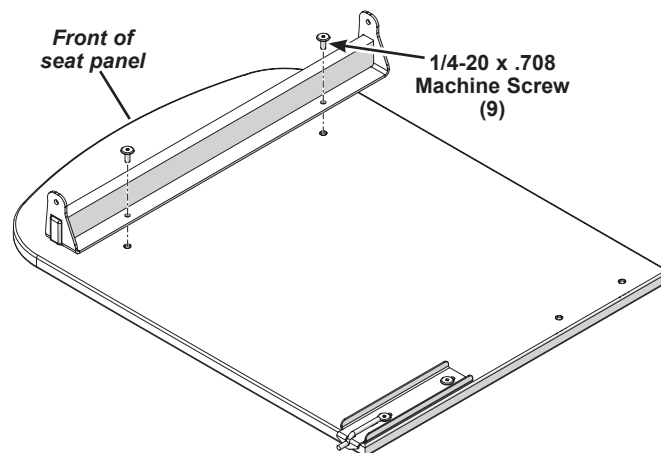


3. Push a 3/4 x 1-1/2" rib plug (14) into the opening at both ends of the seat support weldment (31).

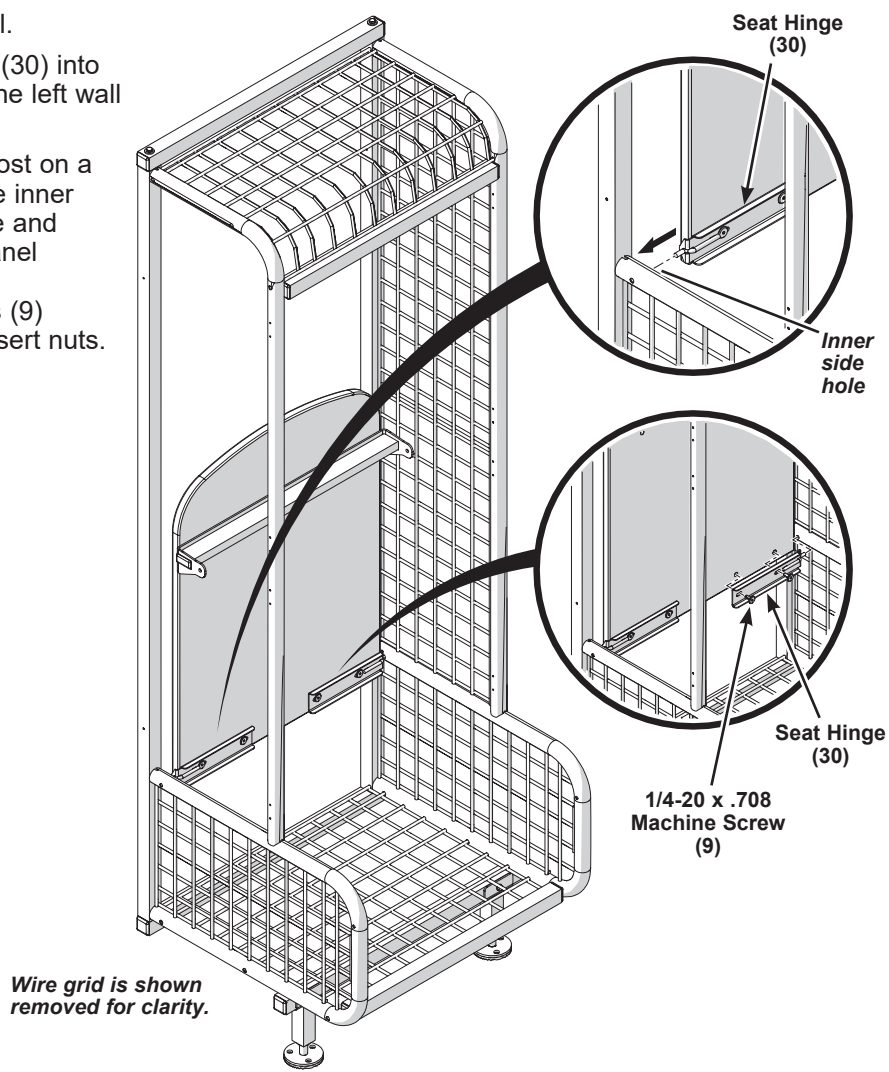


Final Assembly (continued)

4. Attach the seat support weldment (31) to the front of the seat panel using two 1/4-20 x .708 machine screws (9).

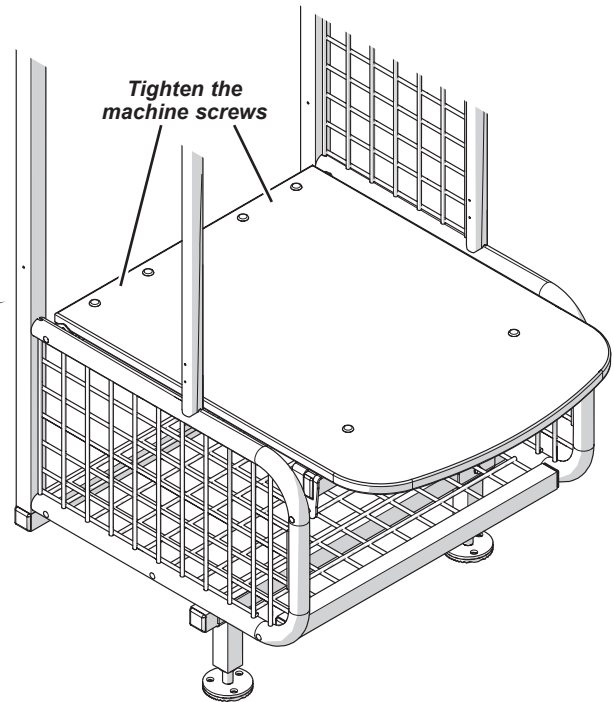
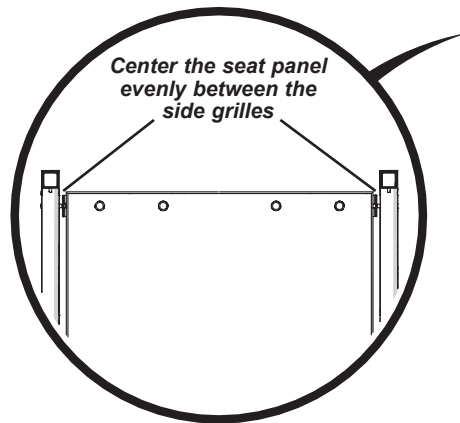


5. In each locker, attach a seat panel.
- Fit the post on the seat hinge (30) into the hole on the inner side of the left wall side grille.
 - On the opposite side, fit the post on a seat hinge into the hole on the inner side of the right wall side grille and loosely attach it to the seat panel using two 1/4-20 x .708 machine screws (9) into the previously installed insert nuts.



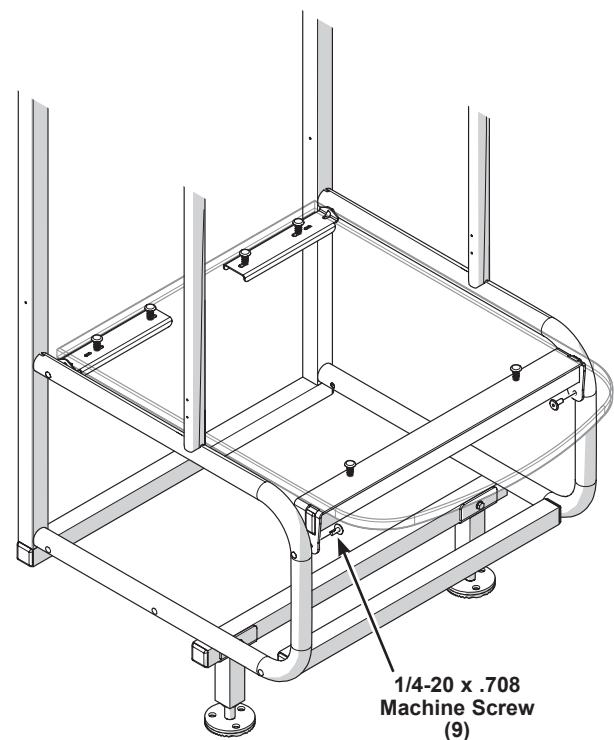
Final Assembly (continued)

6. Center and tighten the seat panel.
 - a. Tip the seat panel down to close it and center it to fit evenly between the side grilles.
 - b. Holding that position, raise the seat panel and secure it to the seat hinges by tightening the attached machine screws.



Wire grid is shown removed for clarity

7. Close the seat panel and attach the seat support weldment to the side grilles using one 1/4-20 x .708 machine screw (9) on each side.



Final Assembly (continued)



If installing optional back panels, stop here and skip ahead to "Optional Back Panel Installation" on page 50 before proceeding.

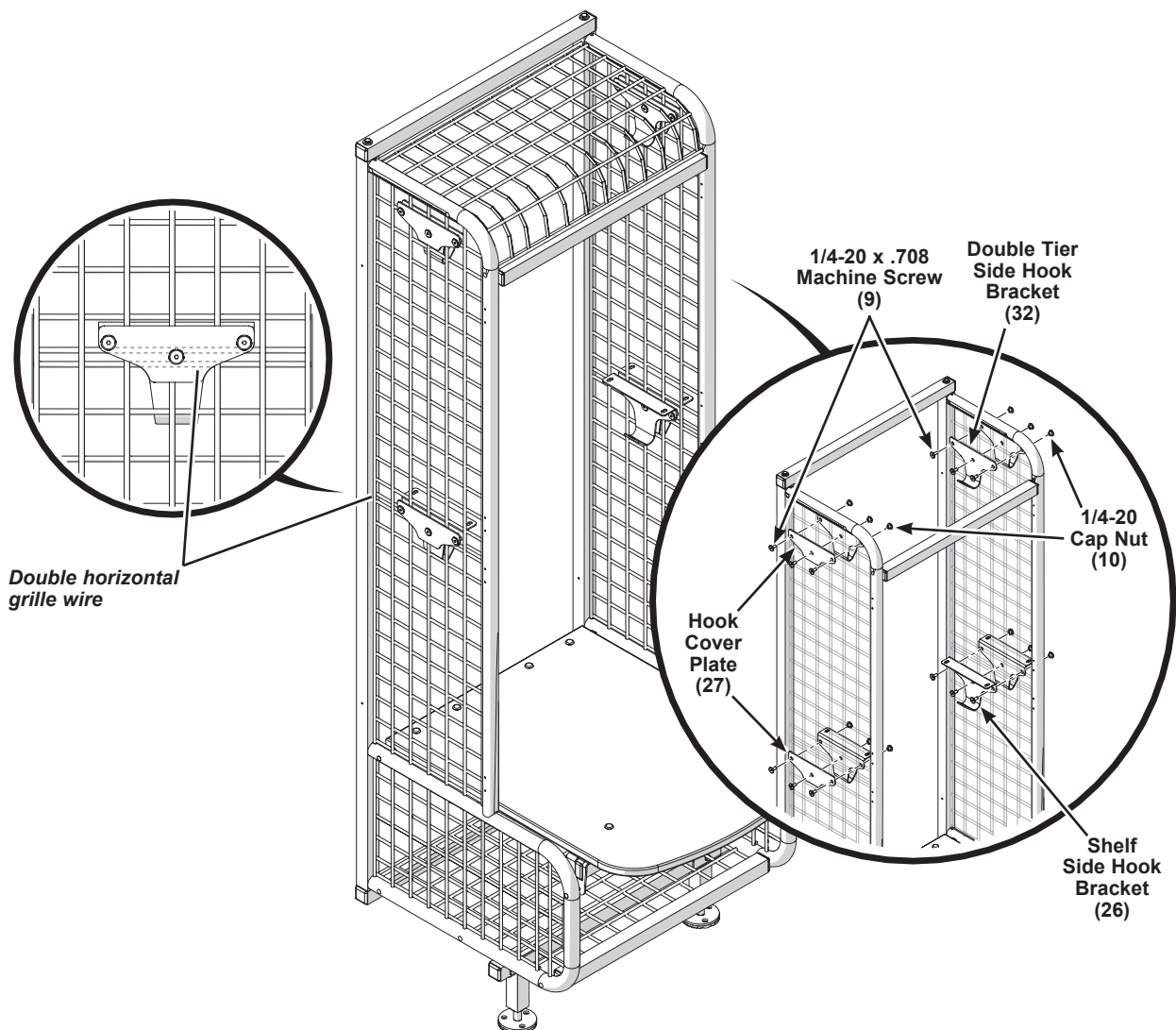
8. Attach double tier side hook brackets (32) and shelf side hook brackets (26) to the lockers.

NOTICE

Desired bracket placement may vary.

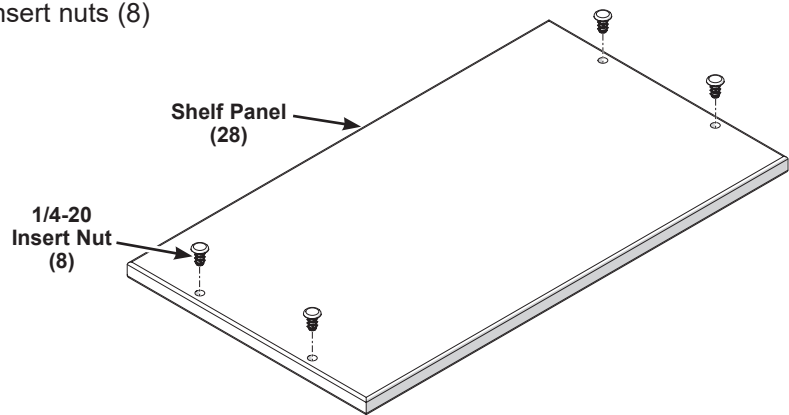
Verify that the shelf panel will fit the location if doors will be installed.

- At a common height near the top, attach double tier side hook brackets (32) back-to-back on the inside of the lockers.
On the ends of the locker bank, attach hook cover plates (27).
- At the top of the double horizontal grille wire, attach shelf side hook brackets (26) back-to-back on the inside of the lockers.
On the ends of the locker bank, attach hook cover plates (27).
- Secure the hook brackets and cover plates using three 1/4-20 x .708 machine screws (9) and 1/4-20 cap nuts (10).



Final Assembly (continued)

9. Use a mallet to carefully tap four 1/4-20 insert nuts (8) into either side of all shelf panels (28).



10. In each locker, place a shelf panel (insert nut side up) onto the shelf side hook brackets.

Attach each side of the shelf panel using two 1/4-20 x .708 machine screws (11) into the previously installed insert nuts.

NOTICE

Shelf panels (28) used with wall configurations are deeper than shelf panels used with island configurations.

Shelf Panel Depths

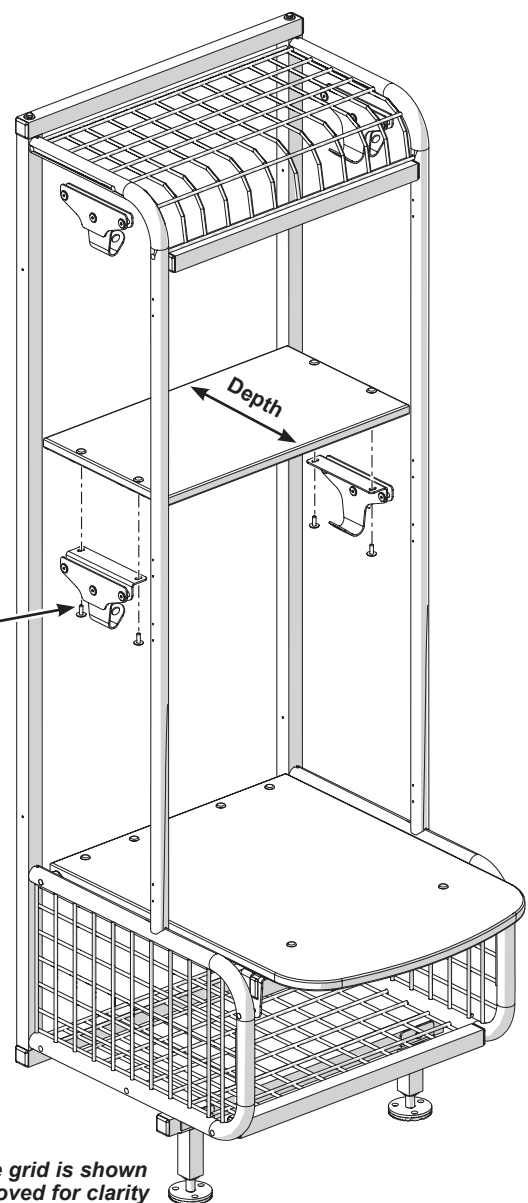
Wall mount without back panel – 13.75" (349 mm)

Wall mount with back panel – 12.75" (324 mm)

Island mount without back panel – 12.75" (324 mm)

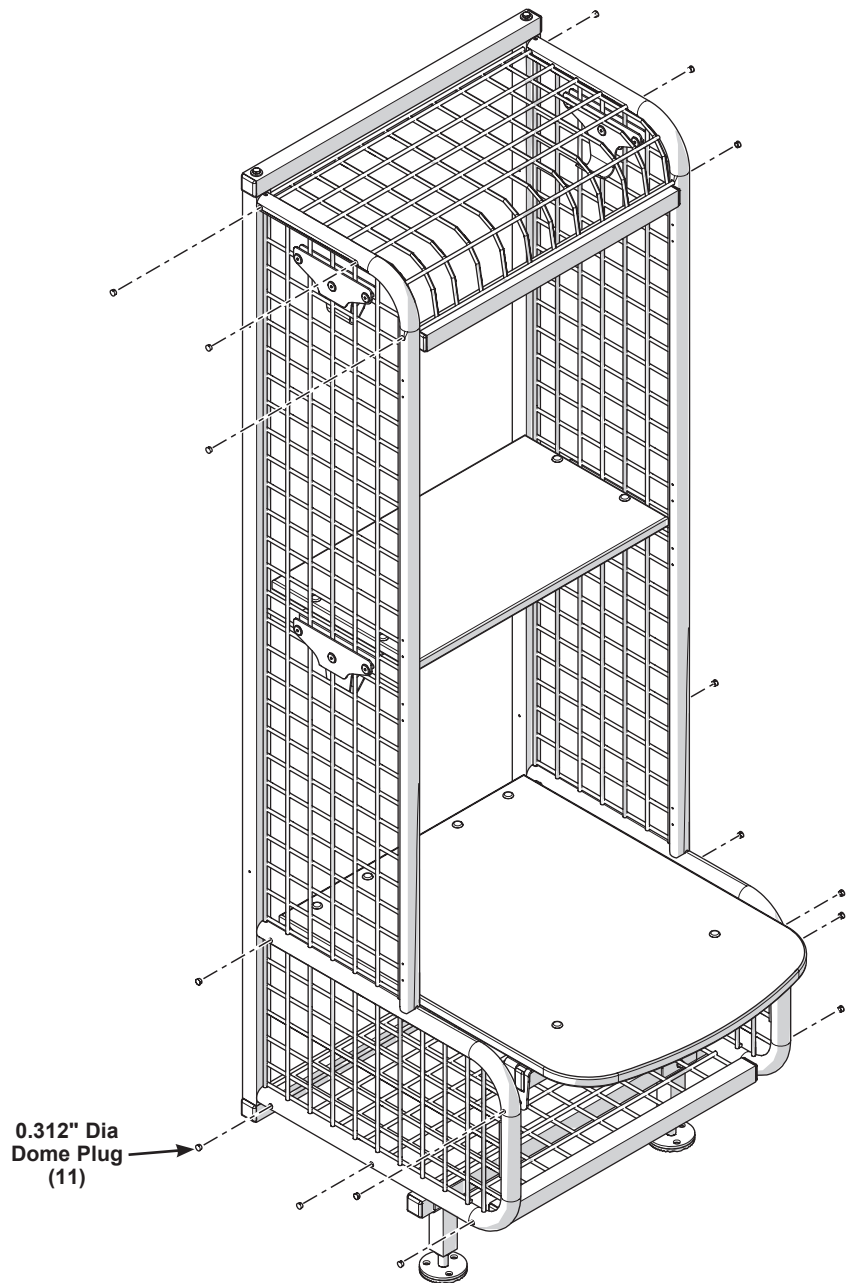
Island mount with back panel – 12.00" (305 mm)

1/4-20 x .708
Machine Screw
(11)



Final Assembly (continued)

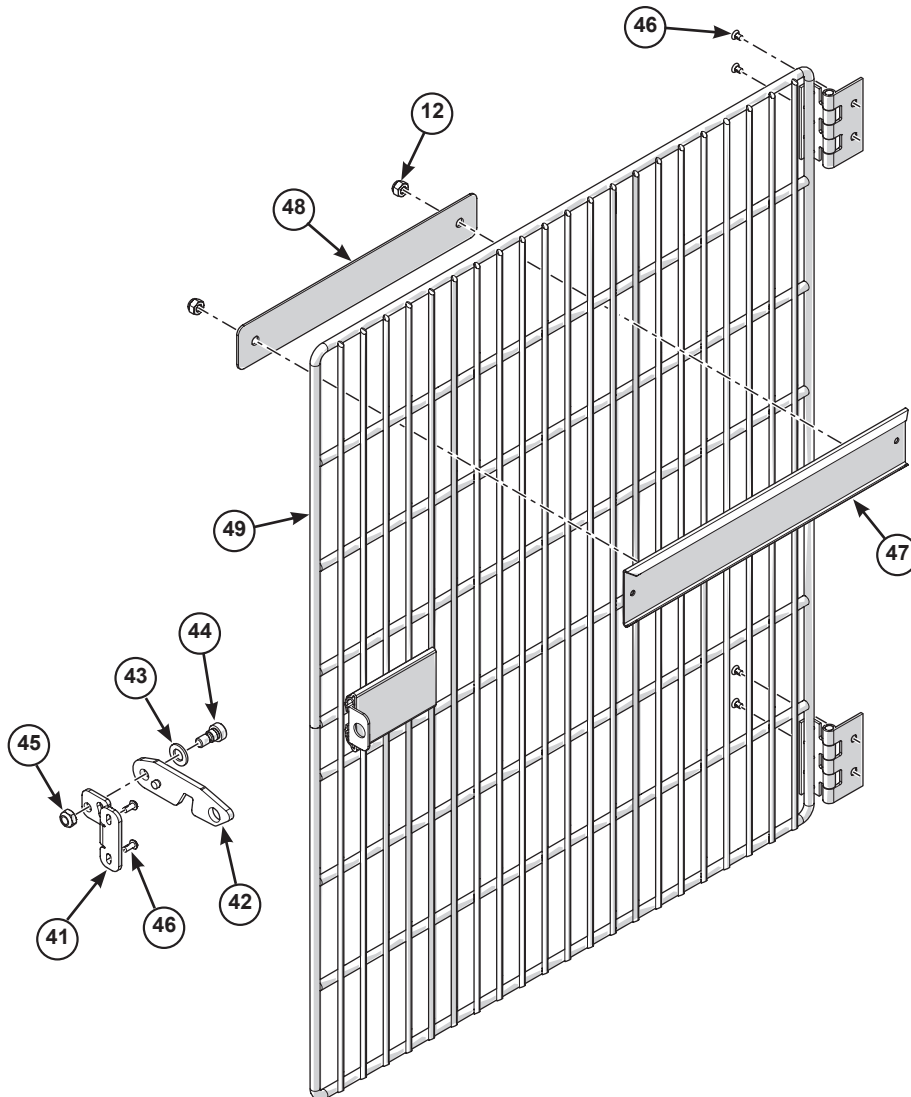
11. Use a mallet to carefully tap 0.312" dia dome plugs (11) into all open outside-facing holes in the side grilles and bases.



Optional Grille Door Components

Item	Description	Item	Description
12	1/4-20 Lock Nut*	45	5/16-18 Lock Nut
41	Grille Lock Bracket	46	#8-32 x 3/8" Socket Screw
42	Grille Lock Pivot Plate	47	Nameplate Weldment*
43	3/8" ID Flat Washer	48	Nameplate Plate*
44	5/16-18 x 1/4" Shoulder Bolt	49	Grill Door Assembly

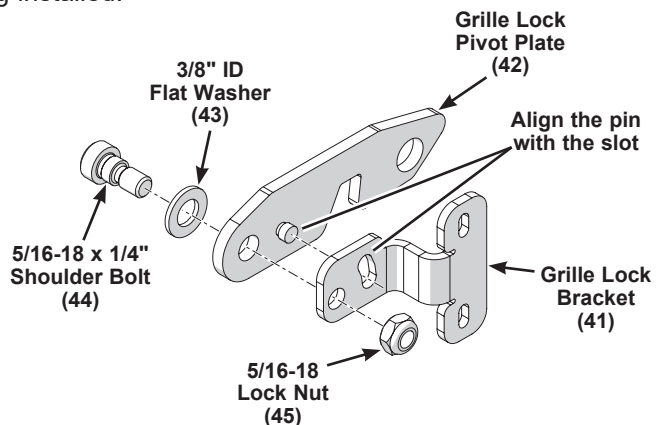
*Nameplates are an additional option for doors



Optional Grille Door Installation

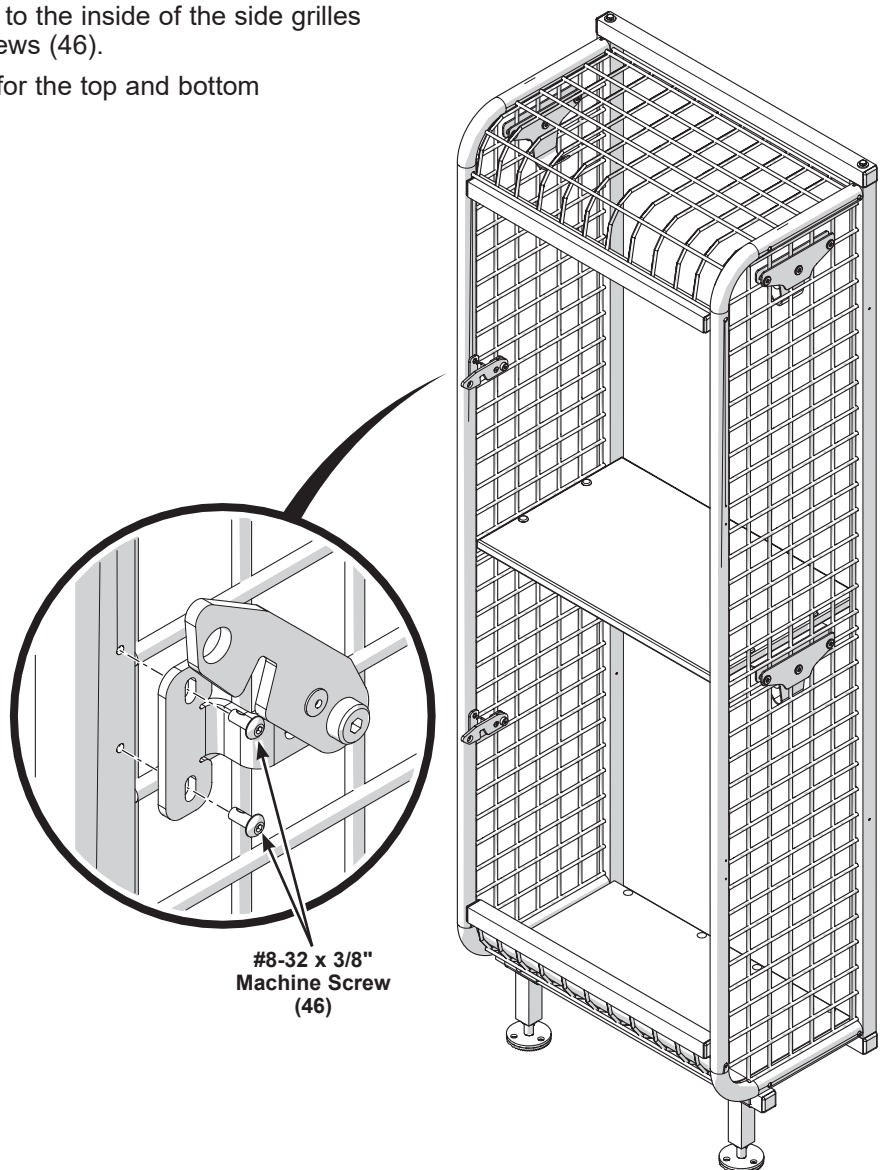
1. Assemble door locks for each grille door being installed.

- Attach a grille lock bracket (41) to a grille lock pivot plate (42) using a 3/8" id flat washer (43), 5/16-18" x 1/4" shoulder bolt (44) and 5/16-18 lock nut (45).
- Align the pin in the pivot plate with the slot in the bracket.



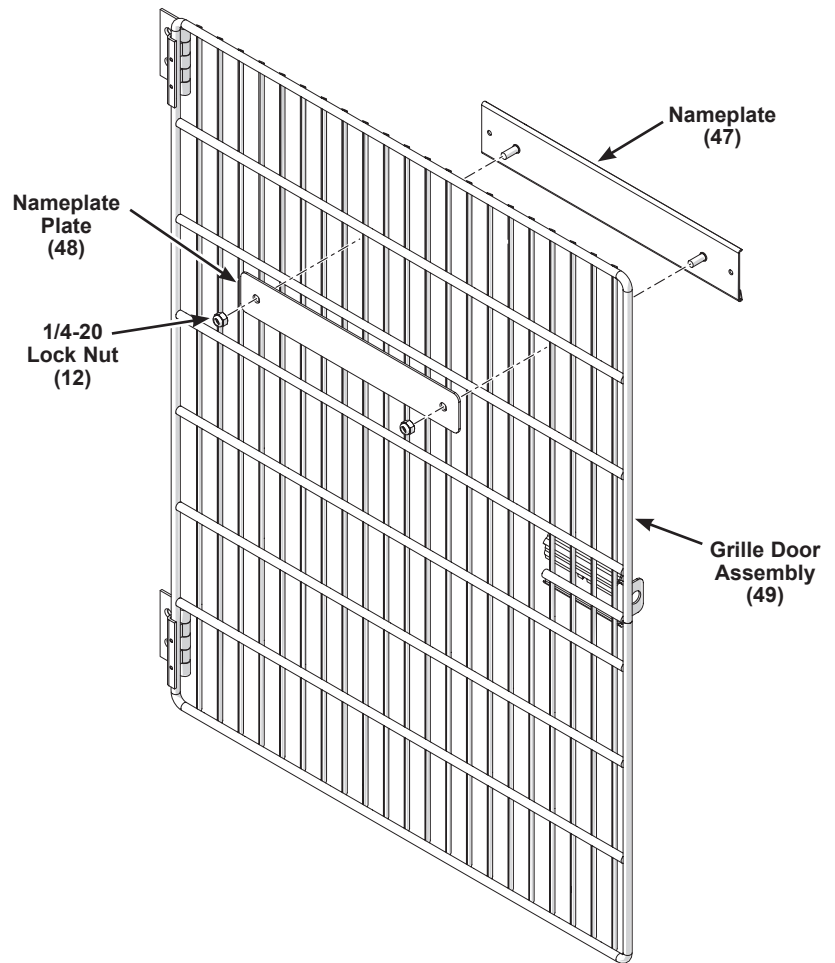
2. Attach each assembled grille lock to the inside of the side grilles using two #8-32 x 3/8" socket screws (46).

The lock pilot holes are centered for the top and bottom compartments.



Optional Grille Door Installation (continued)

3. If available, attach an optional nameplate (47) to each grille door assembly (49) using a nameplate plate (48) and two 1/4-20 lock nuts (12).

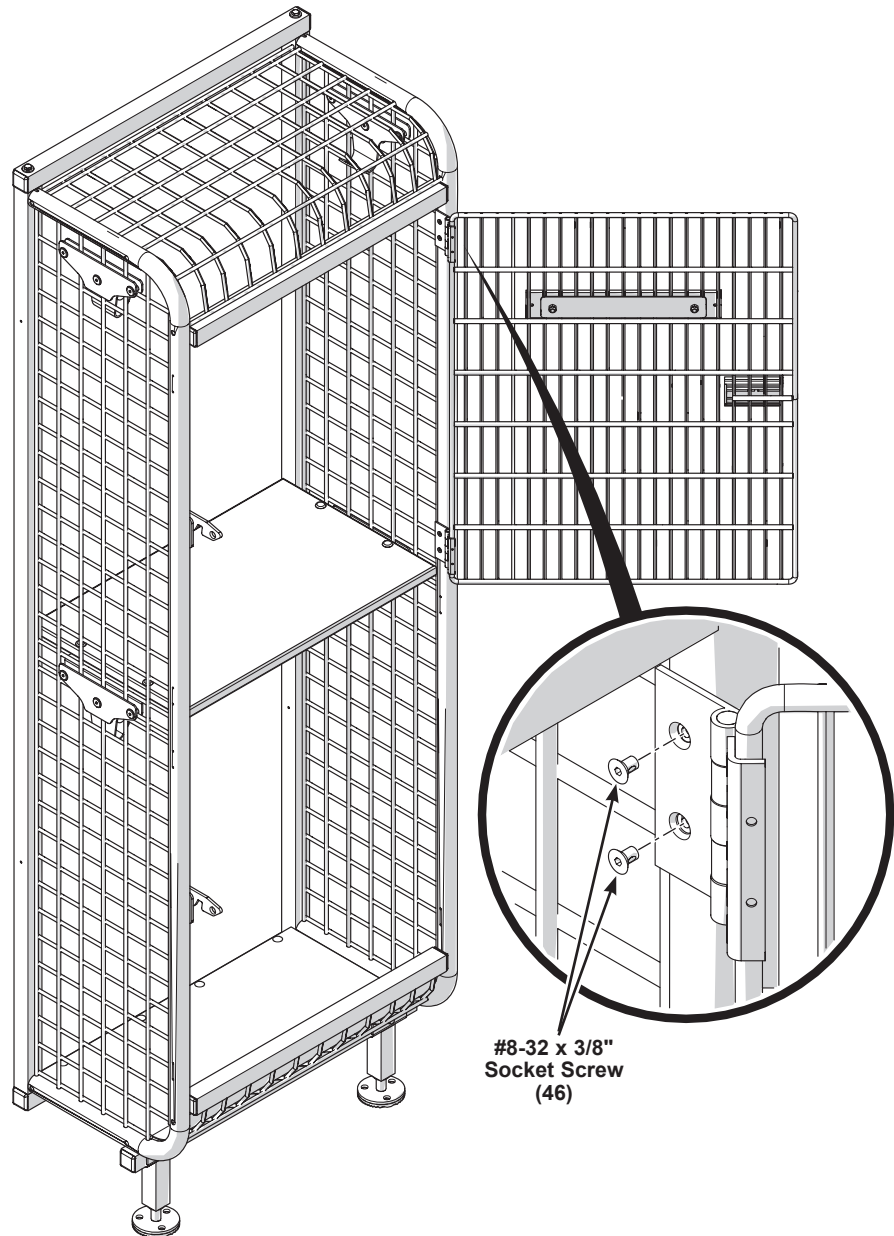


Optional Grille Door Installation (continued)

- Attach each assembled door to the pilot holes on the opposite side grille of the door lock using two #8-32 x 3/8" socket screws (46) in each hinge.

CAUTION

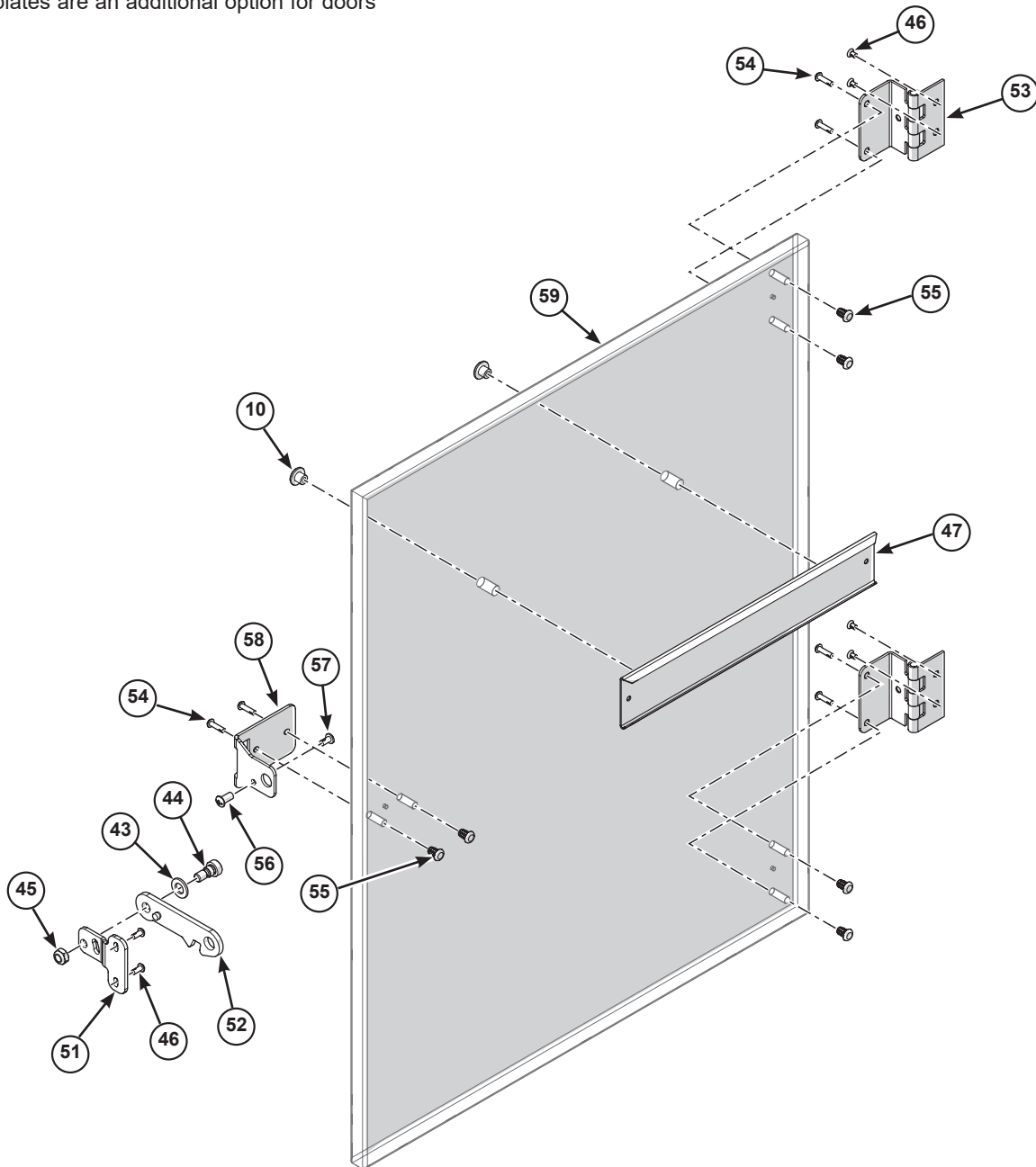
Do not use an impact driver or overtighten the screws.



Optional Wood Door Components

Item	Description	Item	Description
10	1/4-20 Cap Nut*	53	Wood Door Hinge
43	3/8" ID Flat Washer	54	#8-32 x 5/8" Socket Screw
44	5/16-18 x 1/4" Shoulder Bolt	55	#8-32 Insert Nut
45	5/16-18 Lock Nut	56	#10-24 x 1/2" Cap Nut
46	#8-32 x 3/8" Socket Screw	57	#10-24 x 3/8" Machine Screw
47	Nameplate Weldment*	58	Stop Bracket
51	Wood Lock Bracket	59	Wood Door Panel
52	Wood Lock Pivot Plate		

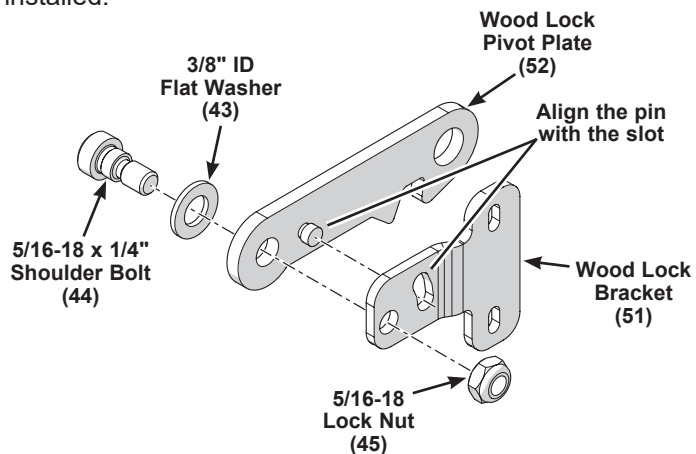
*Nameplates are an additional option for doors



Optional Wood Door Installation

1. Assemble door locks for each wood door being installed.

- Attach a wood lock bracket (51) to a wood lock pivot plate (52) using a 3/8" id flat washer (43), 5/16-18" x 1/4" shoulder bolt (44) and 5/16-18 lock nut (45).
- Align the pin in the pivot plate with the slot in the bracket.

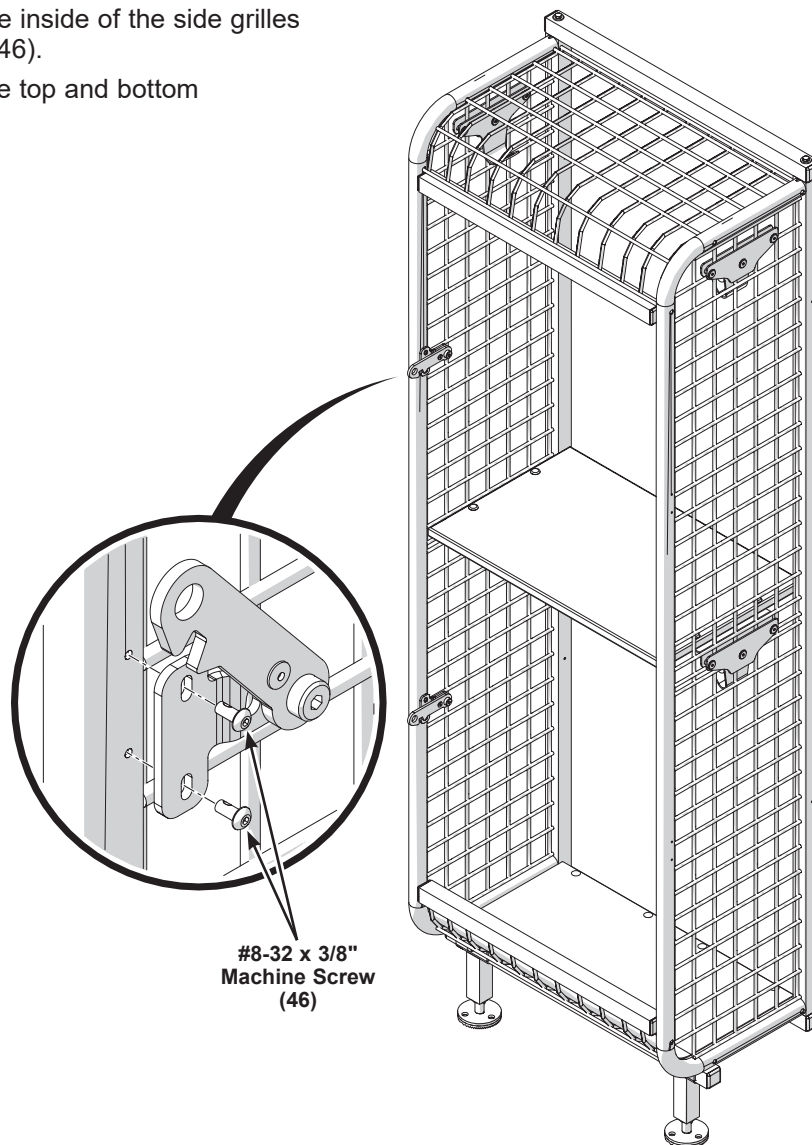


2. Attach each assembled grille lock to the inside of the side grilles using two #8-32 x 3/8" socket screws (46).

The lock pilot holes are centered for the top and bottom compartments.

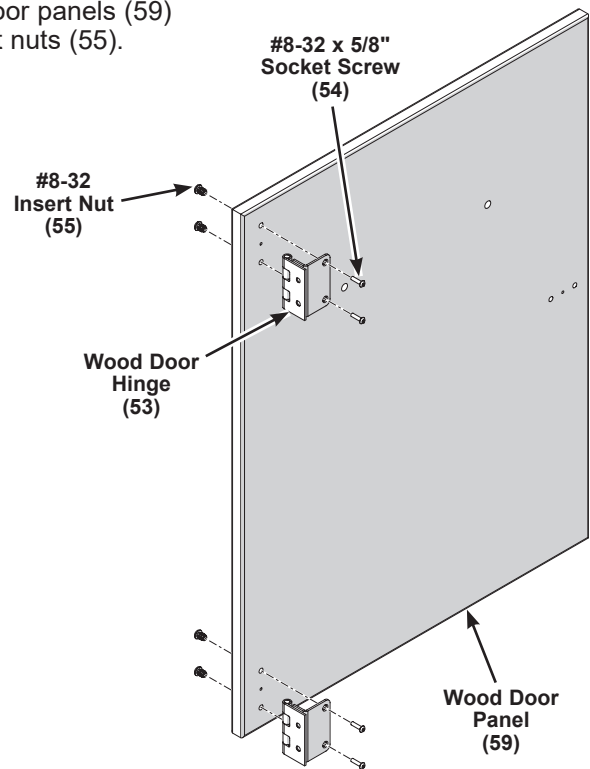
CAUTION

Do not use an impact driver or overtighten the screws.

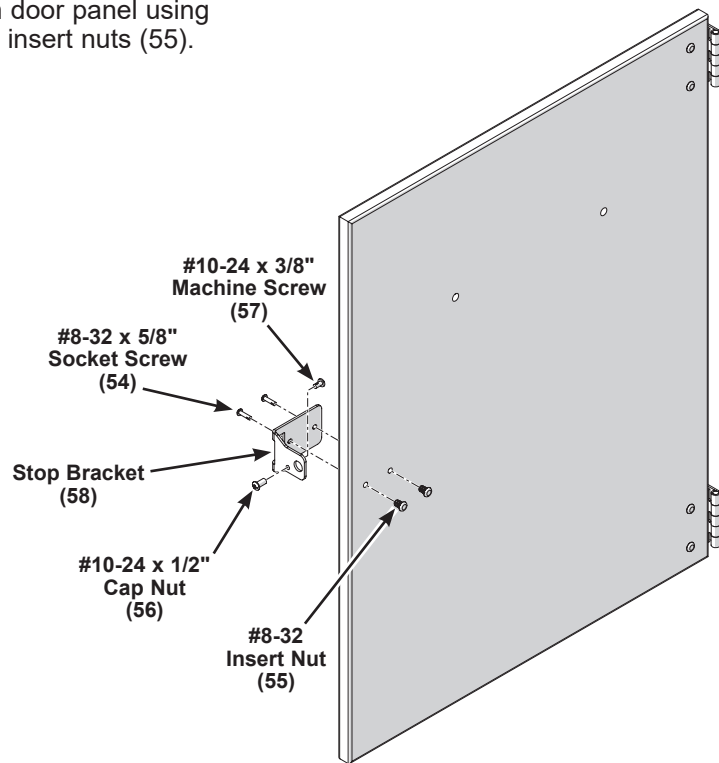


Optional Wood Door Installation (continued)

3. Attach wood door hinges (53) to the inside of the wood door panels (59) using two #8-32 x 5/8" socket screw (54) and #8-32 insert nuts (55).

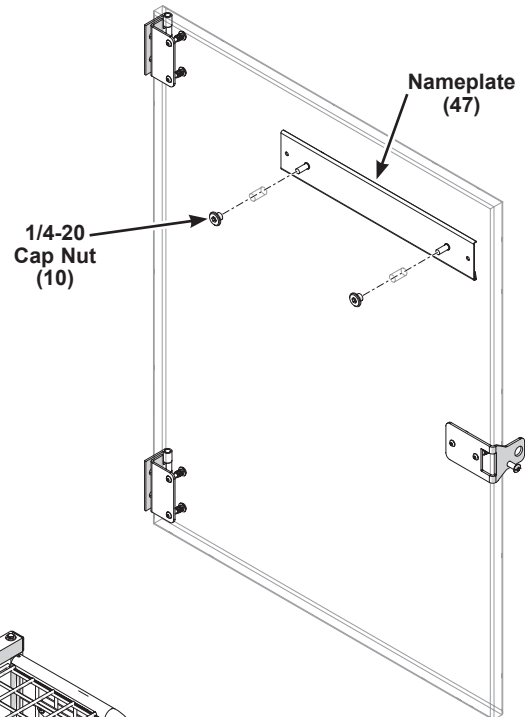


4. Attach a stop bracket (58) to the inside of each door panel using two #8-32 x 5/8" socket screws (54) and #8-32 insert nuts (55).
5. Attach one #10-24 x 1/2" cap nut (56) and #10-24 x 3/8" machine screw (57) to each stop bracket as shown.



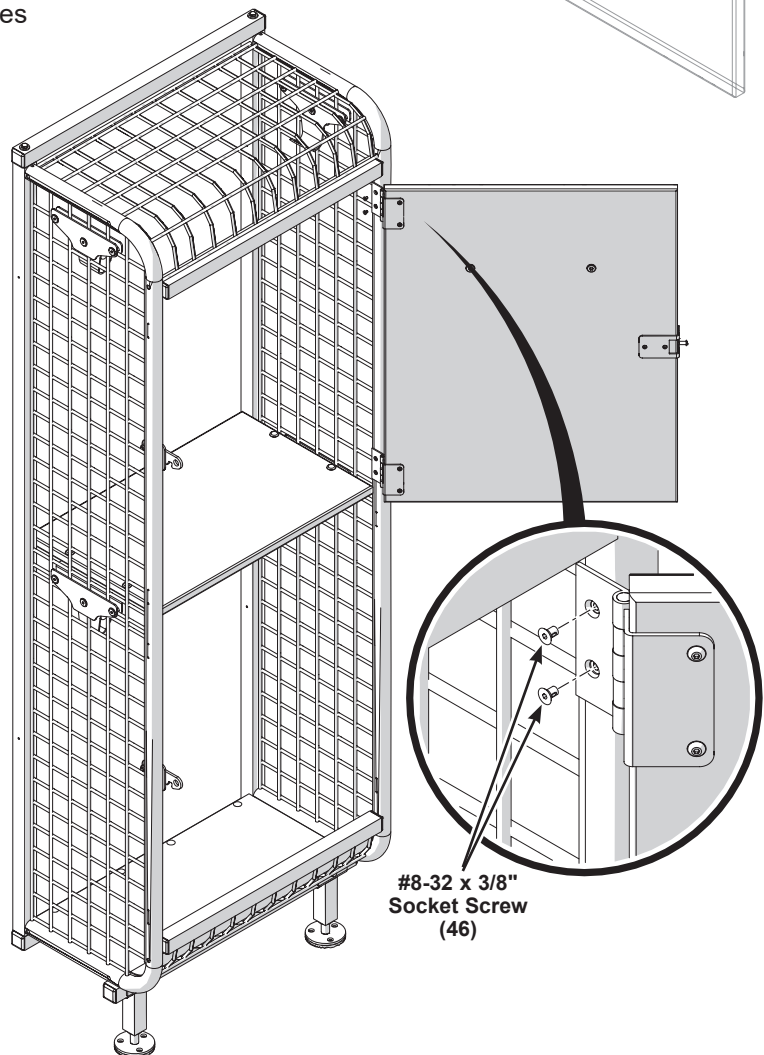
Optional Wood Door Installation (continued)

6. If available, attach an optional nameplate (47) to the outside of each wood door panel using two 1/4-20 cap nuts (10).



7. Attach each assembled door to the pilot holes on the opposite side grille of the door lock using two #8-32 x 3/8" socket screws (46) in each hinge.

CAUTION
Do not use an impact driver or overtighten the screws.

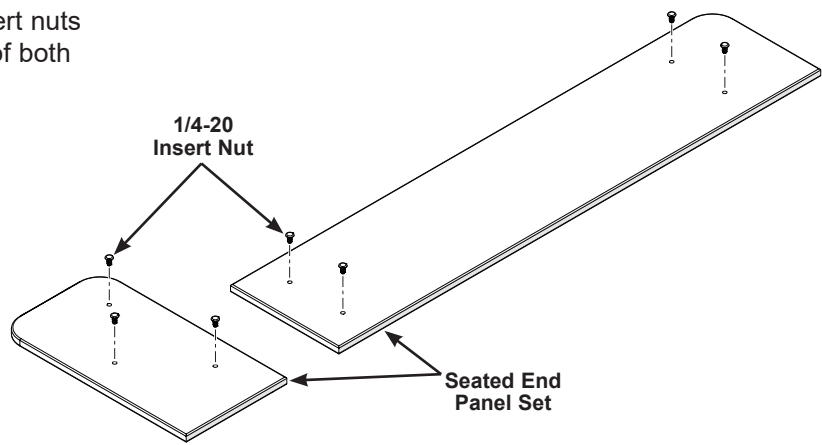


Optional End Panel Installation



The optional end panels can be installed in either seated or non-seated configurations. This is the procedure for installing in the seated configuration! For installing in the non-seated configuration, go to the following page.

1. Use a mallet to carefully tap 1/4-20 insert nuts into the all of the holes on the outside of both seated end panels.



2. Attach the end panels to the outside of the side grilles using end panel brackets on the inside of the side grilles and 1/4-20 x 1.38" machine screws into the previously installed insert nuts as shown.

Orient the upper set of brackets with the notch at the bottom to fit on top of the wire grille.

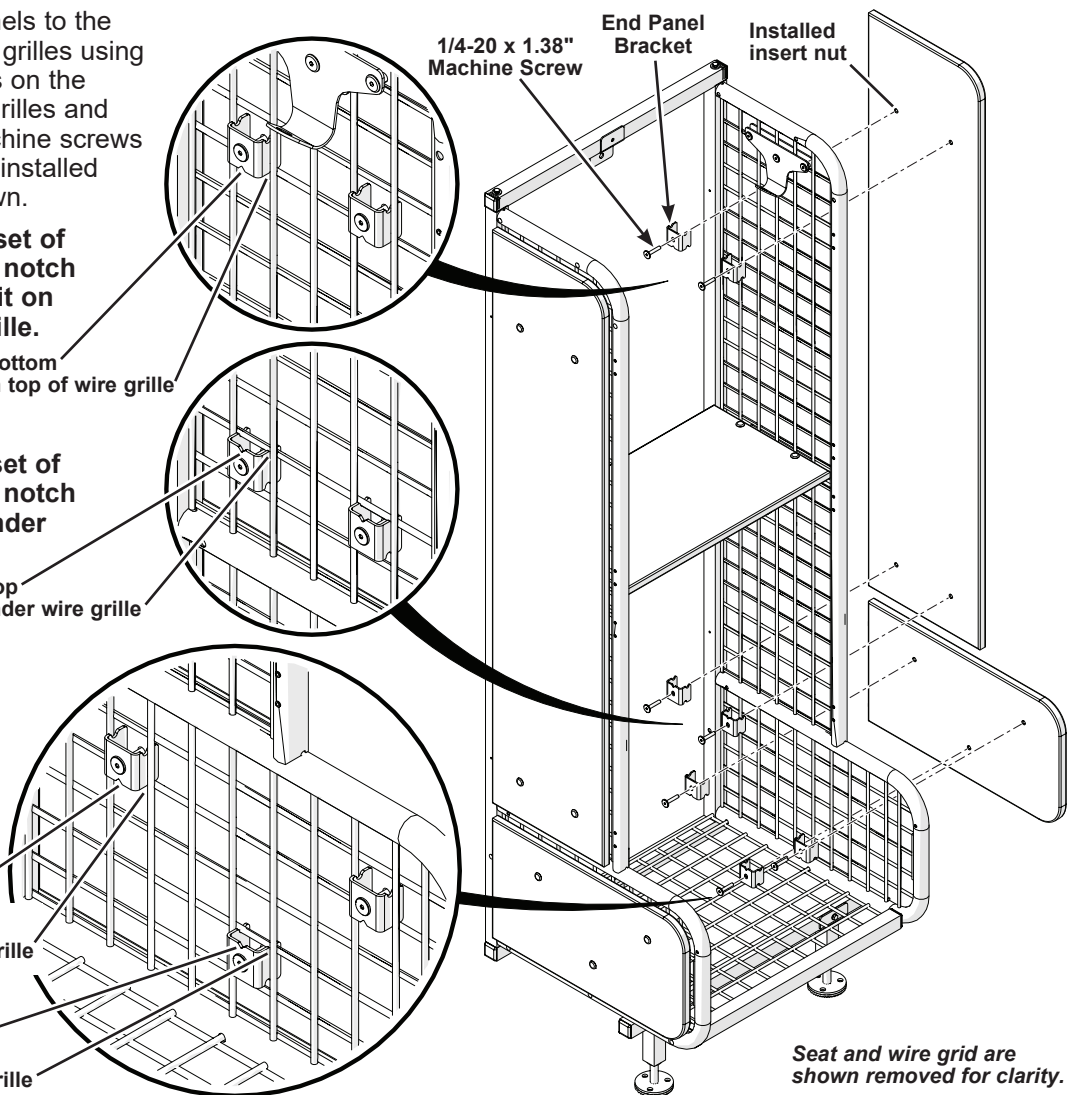
Notch at bottom and fits on top of wire grille

Orient the lower set of brackets with the notch at the top to fit under the wire grille.

Notch at top and fits under wire grille

Notch at bottom and fits on top of wire grille

Notch at top and fits under wire grille

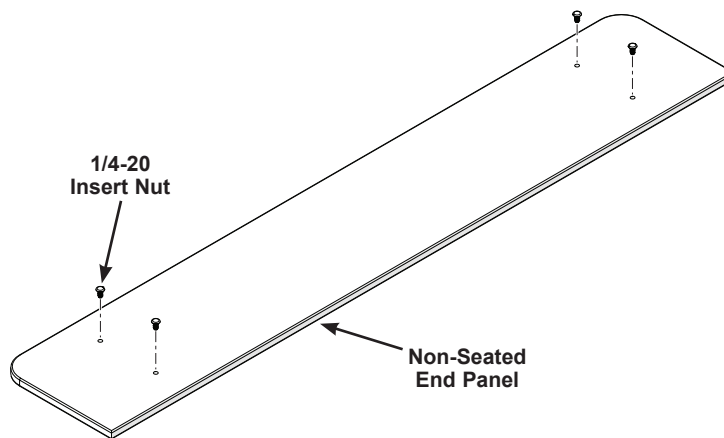


Optional End Panel Installation (continued)



The optional end panels can be installed in either seated or non-seated configurations. This is the procedure for installing in the non-seated configuration! For installing in the seated configuration, go to the previous page.

1. Use a mallet to carefully tap 1/4-20 insert nuts into all of the holes on the outside of the non-seated end panel.



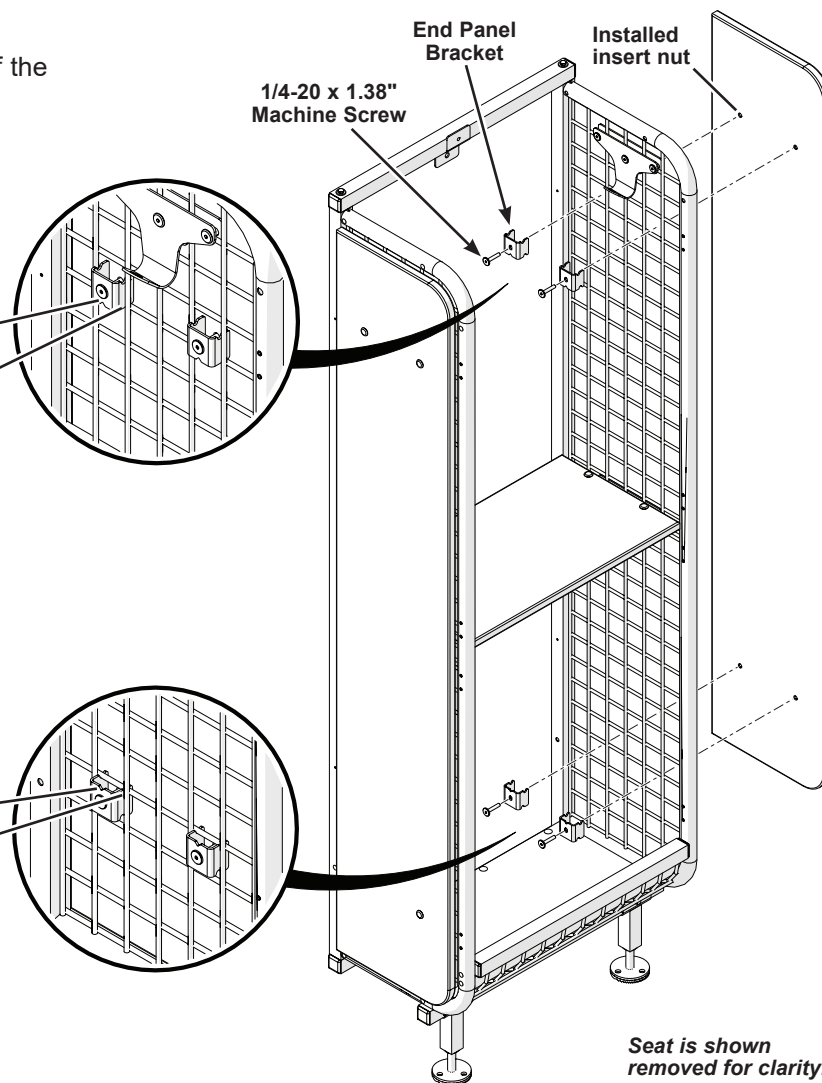
2. Attach the end panels to the outside of the side grilles using end panel brackets on the inside of the side grilles and 1/4-20 x 1.38" machine screws into the previously installed insert nuts as shown.

Orient the upper set of brackets with the notch at the bottom to fit on top of the wire grille.

Notch at bottom and fits on top of wire grille

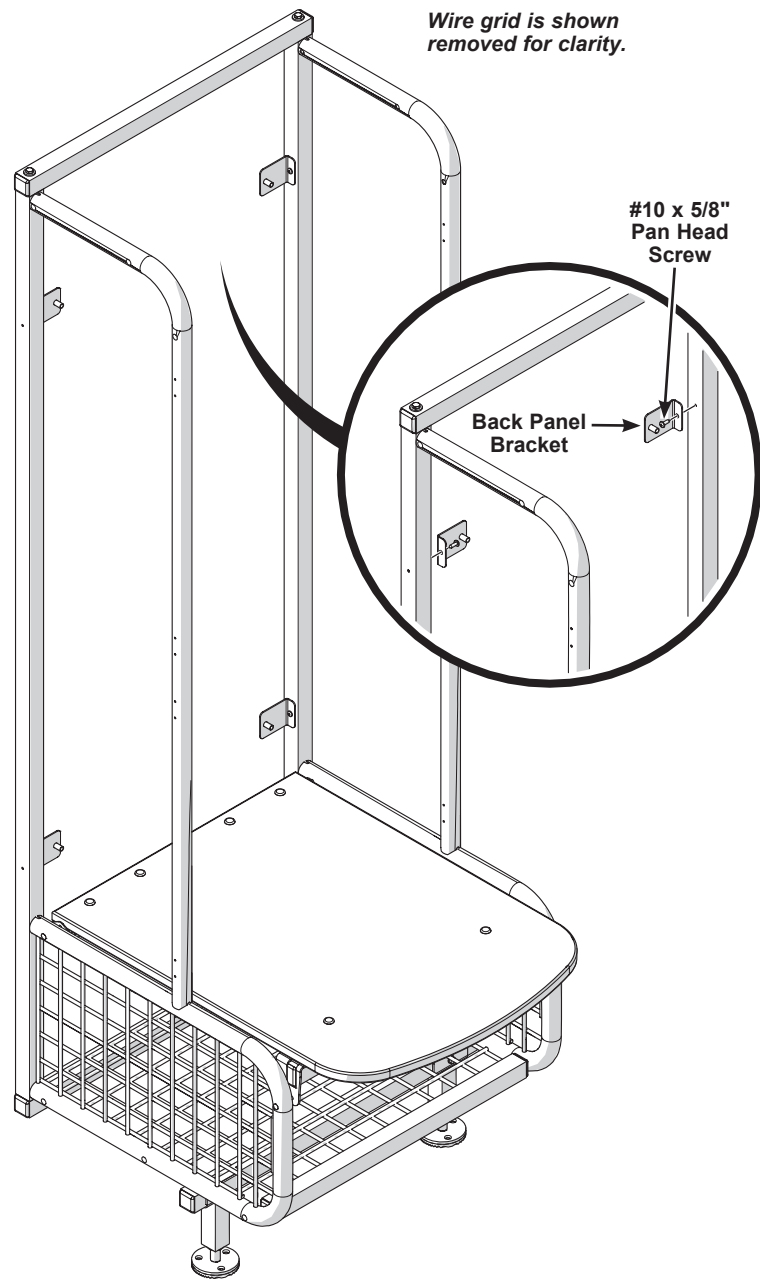
Orient the lower set of brackets with the notch at the top to fit under the wire grille.

Notch at top and fits under wire grille



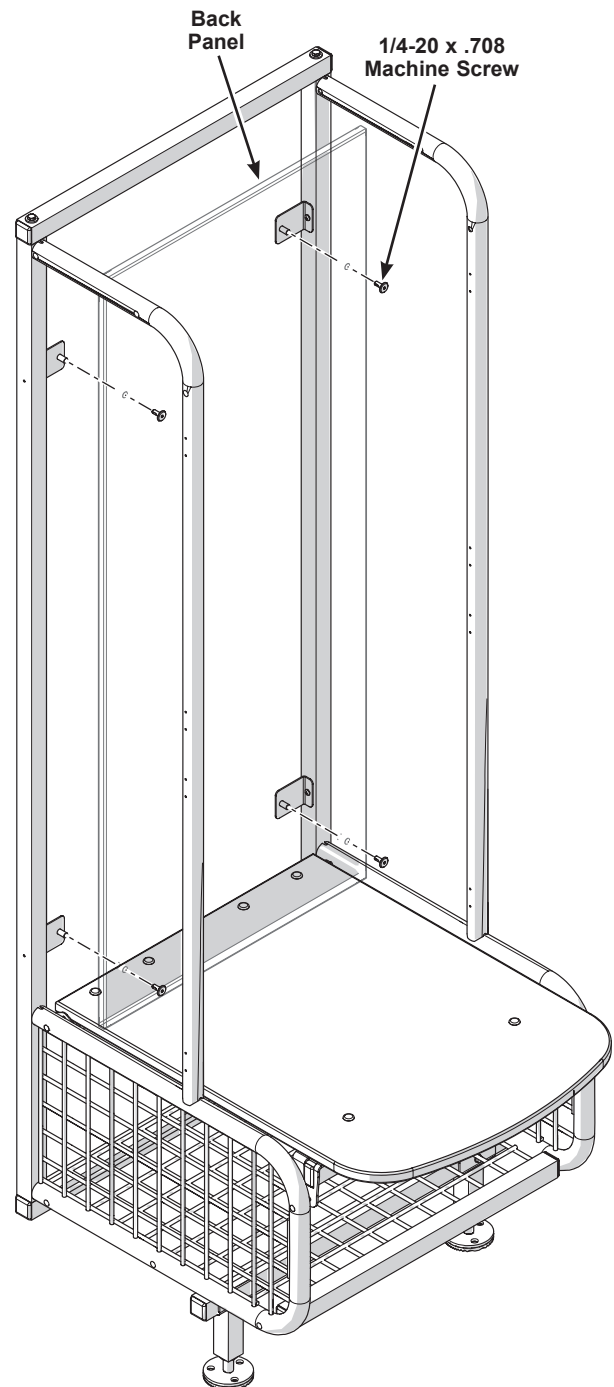
Optional Back Panel Installation

1. Attach four back panel brackets to the top-rear and bottom-rear uprights of the side grilles using #10 x 5/8" pan head screws.



Optional Back Panel Installation (continued)

2. Fit the back panel onto the back panel brackets and secure it in place using four 1/4-20 x .708 machine screws.
3. Return back to step 7 of "Final Assembly" to finish the installation.



Care and Maintenance

- Clean the locker and its components with a mild detergent. **Avoid using harsh or abrasive cleaning products and do not use products containing ammonia or bleach.**
- Check fasteners after each season to ensure that they are not loose or dislodged.

